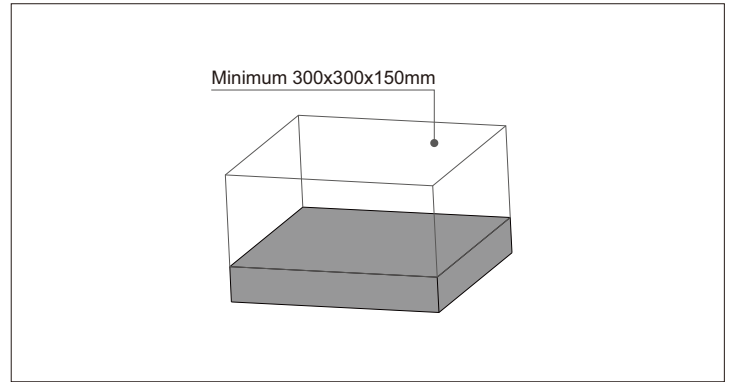
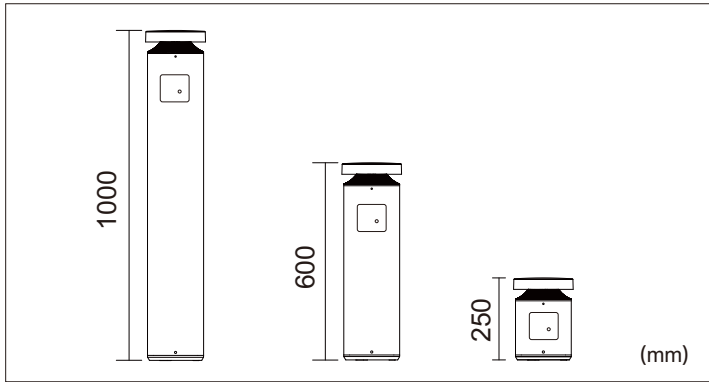
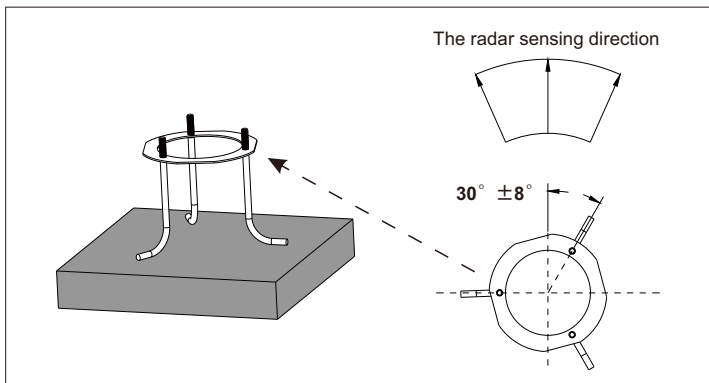


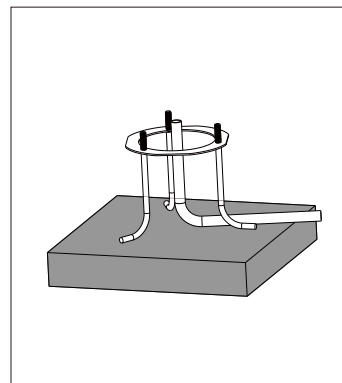
Installation instruction



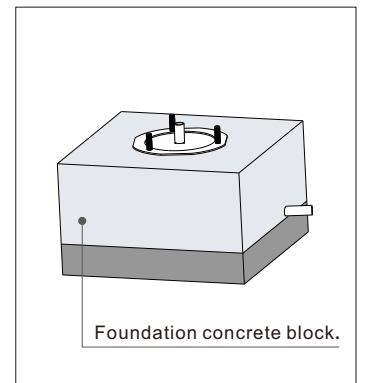
1. Dig a hole with minimum size 300x300x150mm



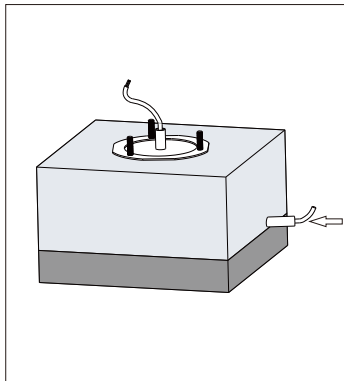
2. Put the L-type bracket into the hole
(Pay attention to the radar sensing direction)



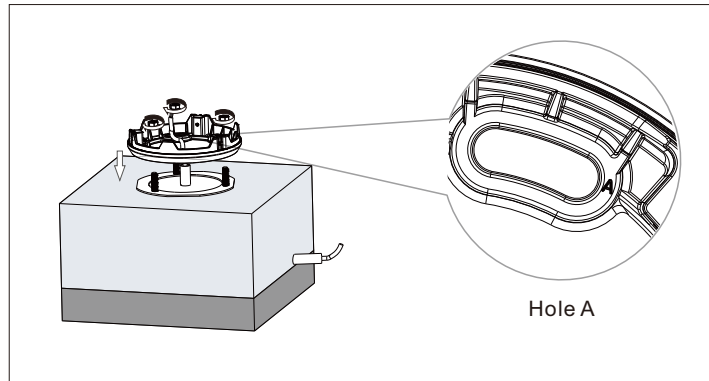
3. Install the conduit tube



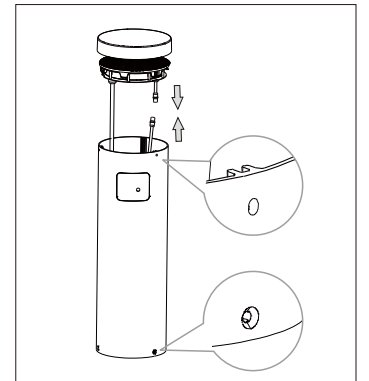
4. Make sure the bracket plate is flat with ground .



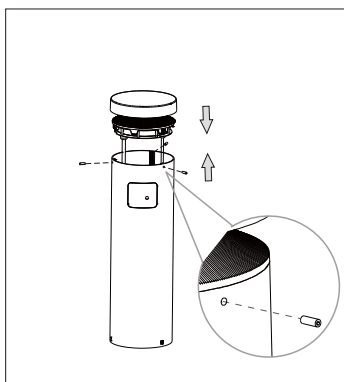
5. Put the wire through conduit tube



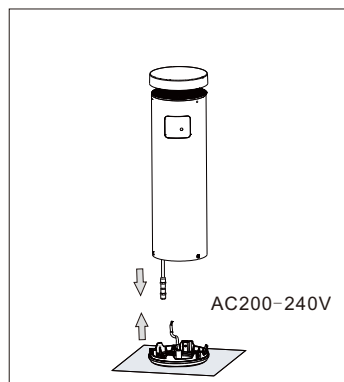
6. Fix the mounting plate to the L-type bracket



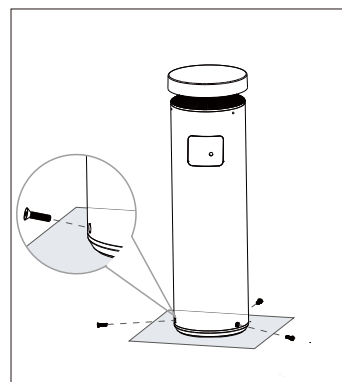
7. Connect the wires



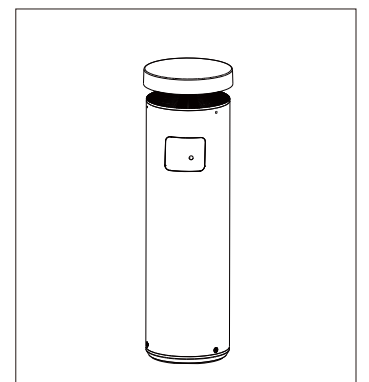
8. Fix the bollard head and bollard tube



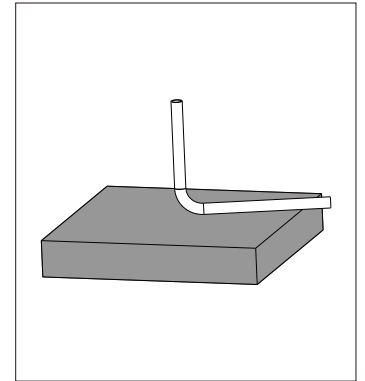
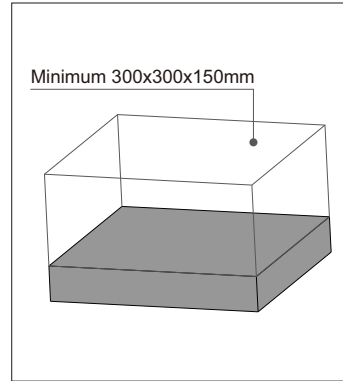
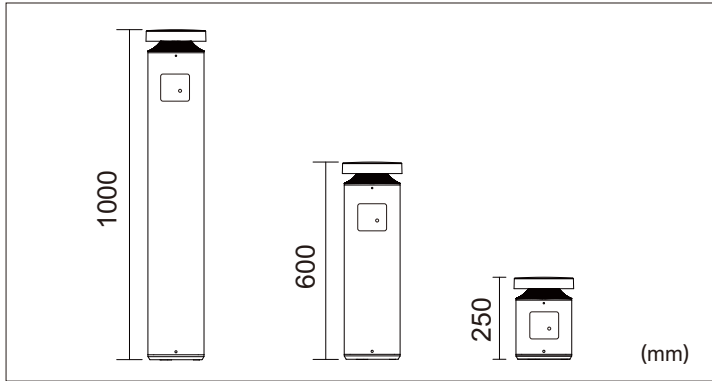
9. Connect the bollard wire to the electricity cable



10. Fix the bollard tube onto the mounting base, Pay attention to the radar sensing direction.

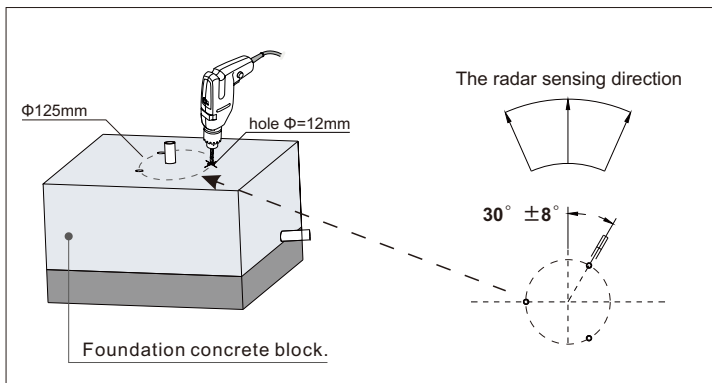


Installation instruction

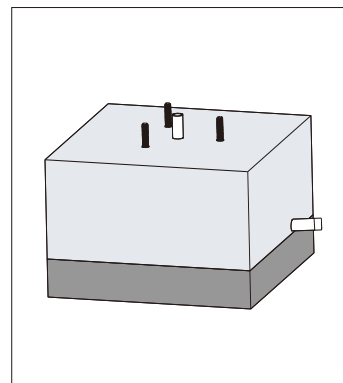


1. Dig a hole with minimum size 300x300x150mm

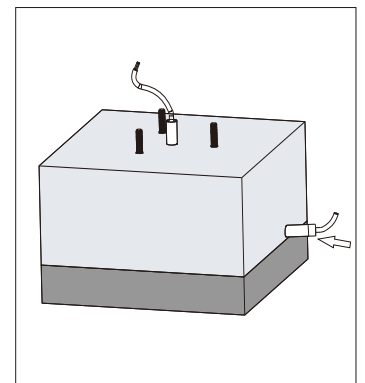
2. Put the conduit tube



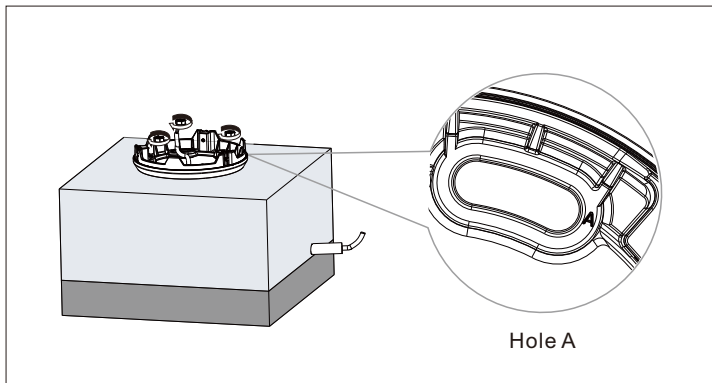
3. Fix the conduit tube , Ground drilling (three equal parts on a 125mm diameter circle, the hole diameter is 12mm) , Pay attention to the radar sensing direction.



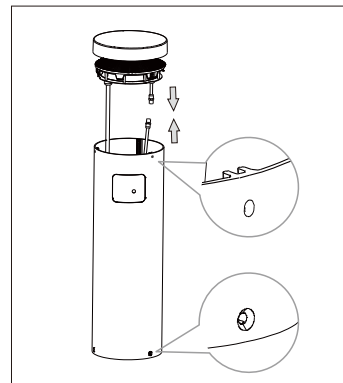
4. the expansion screw should be flat with ground



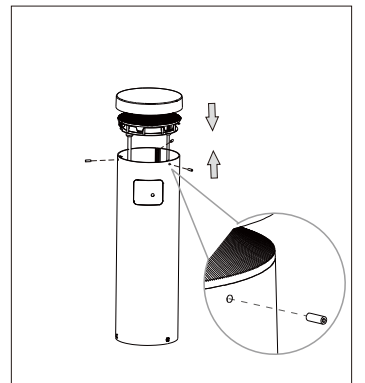
5. Put the wire through conduit tube



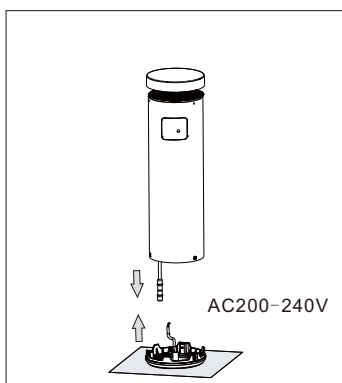
6. Fix the mounting plate



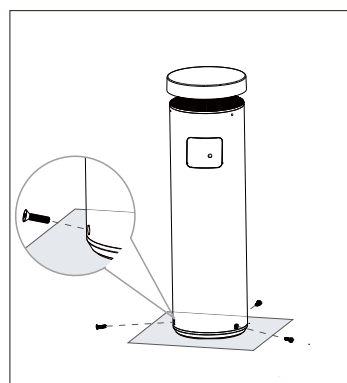
7. Connect the wires



8. Fix the bollard head and bollard tube



9. Connect the bollard wire to the electricity cable



10. Fix the bollard tube onto the mounting base, Pay attention to the radar sensing direction.

