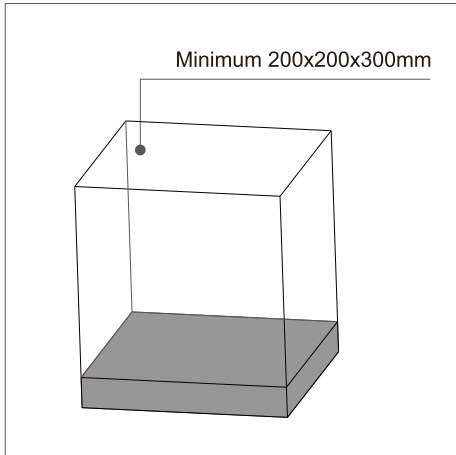
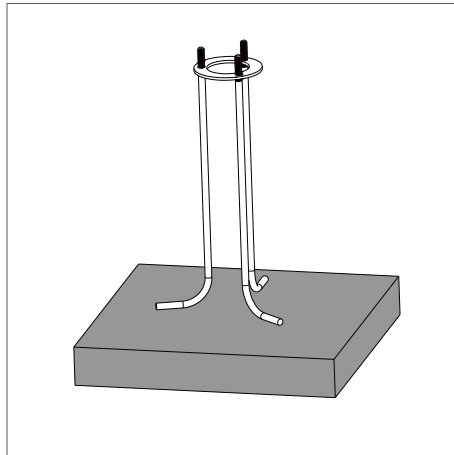


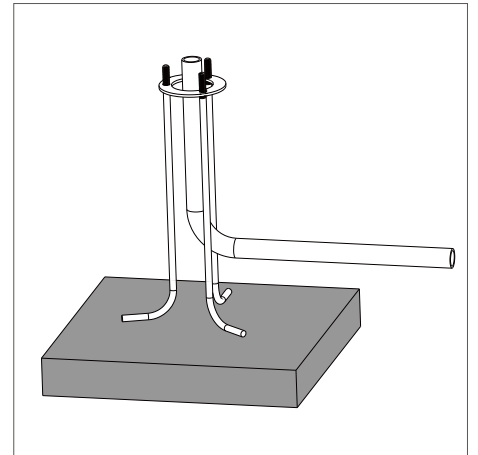
Installation instruction



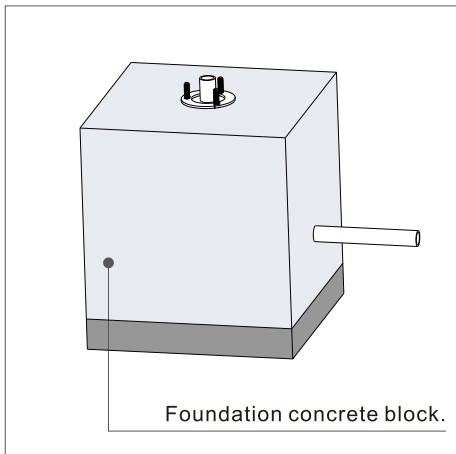
1. Dig a hole with minimum size 200x200x300mm



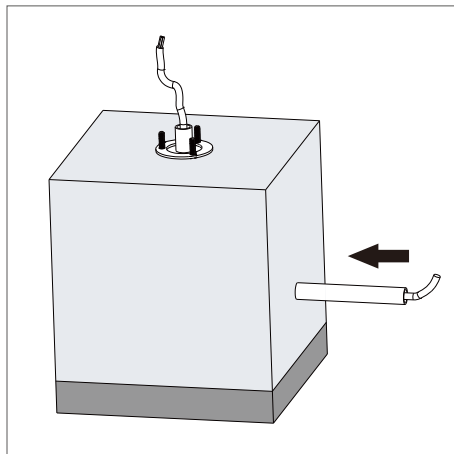
2. Put the L-type bracket into the hole



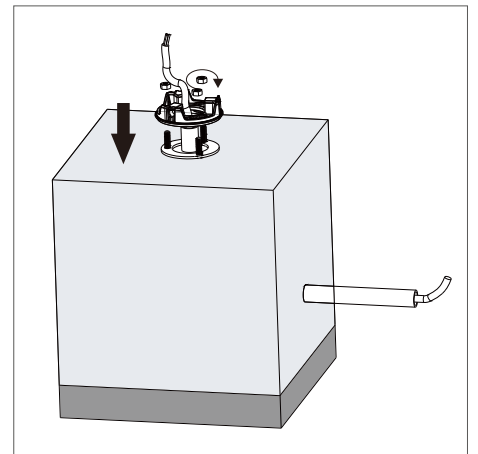
3. Install the conduit tube



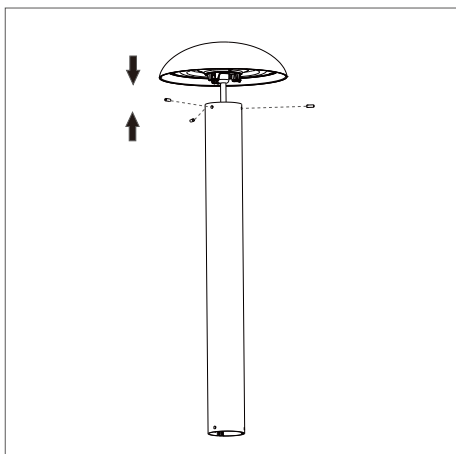
4. Make sure the bracket plate is flat with ground



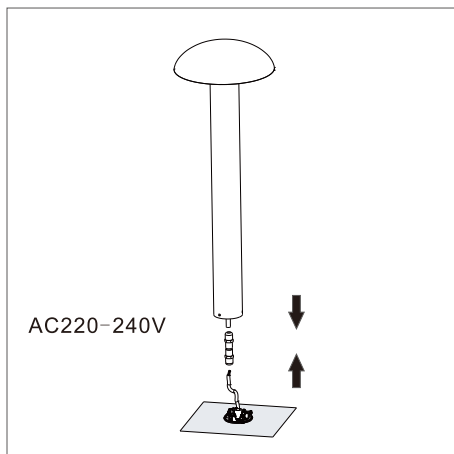
5. Put the wire through conduit tube



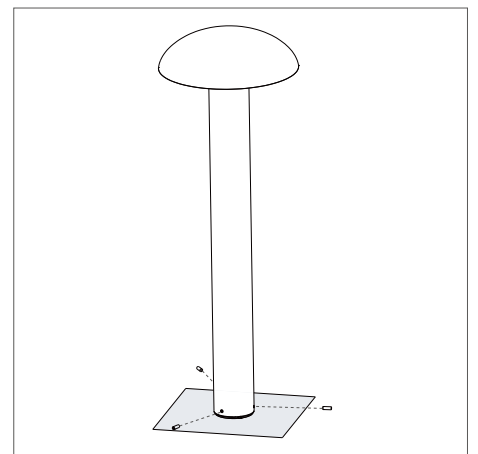
6. Fix the mounting plate to the L-type bracket



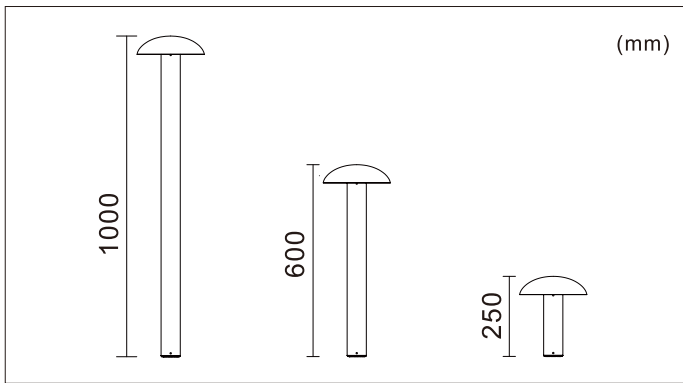
7. Fix the bollard head and bollard tube



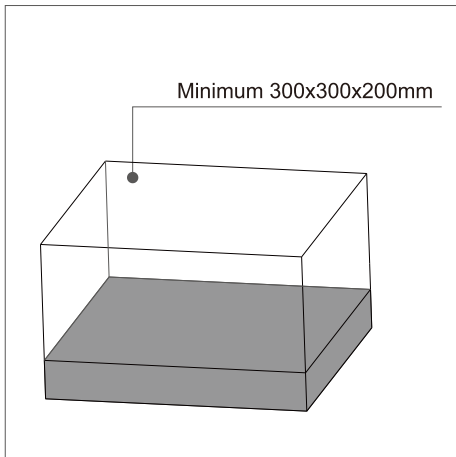
8. Connect the bollard wire to the electricity cable



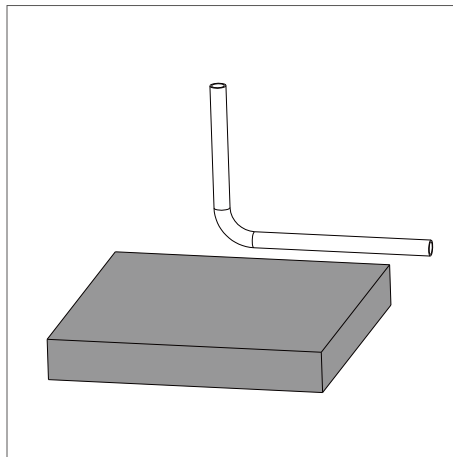
9. Fix the bollard tube onto the mounting base



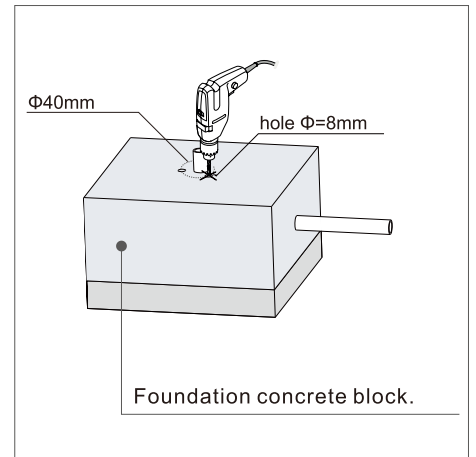
Installation instruction



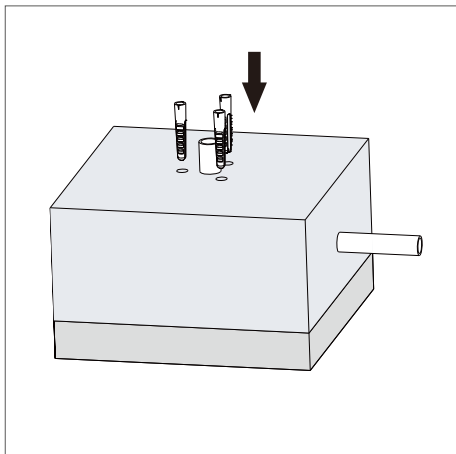
1. Dig a hole with minimum size 300x300x200mm



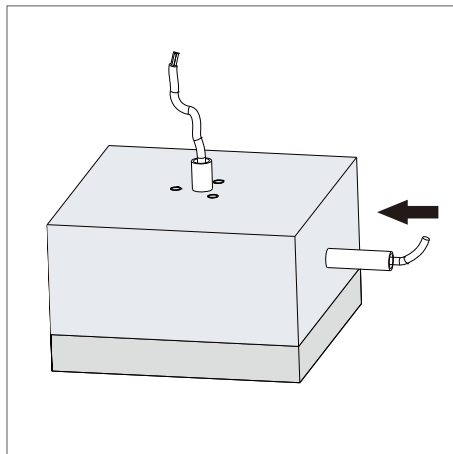
2. Put the conduit tube



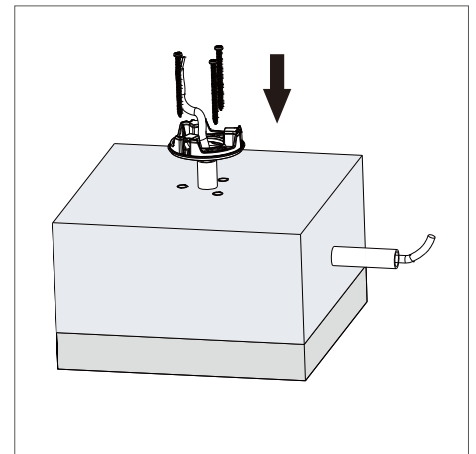
3. Fix the conduit tube , Ground drilling (three equal parts on a 40mm diameter circle, the hole diameter is 8mm)



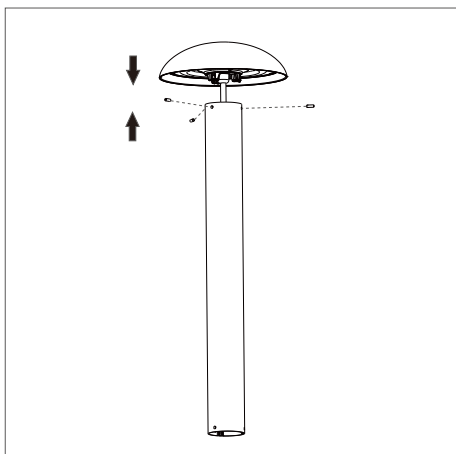
4. Make sure the bracket plate is flat with ground



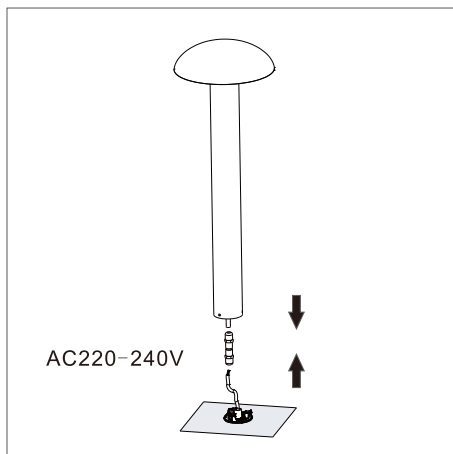
5. Put the wire through conduit tube



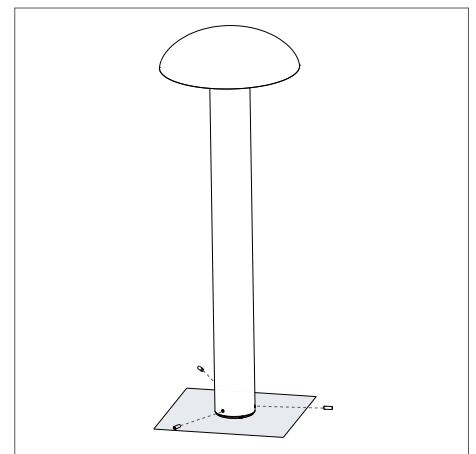
6. Fix the mounting plate to the L-type bracket



7. Fix the bollard head and bollard tube



8. Connect the bollard wire to the electricity cable



9. Fix the bollard tube onto the mounting base