



Cica is a series of high-quality floodlights, bionic design, rich textured design composed of die-casting aluminum parts, reflector, tempered glass, high-quality outdoor Powder coating spraying process, Cica have Tough weather resistance and protection grade is Ip65.

Cica series use one piece die-casting molding process, good heat dissipation performance. The luminaire has four sizes, providing three kinds of light angles to meet the lighting needs of different scenes. Deep anti-glare reflector design, clean light spot, with good anti-glare effect. Support a variety of optical accessories and Dali2 dimming.

Cica series are easy to install, angle adjustable from two directions which can precisely meet the lighting needs of lighting trees, architecture and sculpture. Provide 5 years warranty.

Features

bionic design

Cica series use one piece die-casting molding process, good heat dissipation performance.

Deep anti-glare reflector design, clean light spot, with good anti-glare effect.

Support a variety of optical accessories and Dali2 dimming

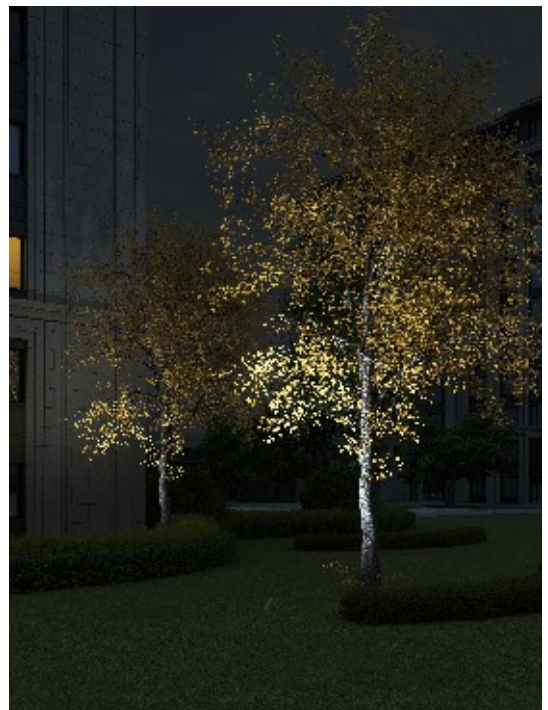
Simple, easy and quick installation

Lamp protection grade Ip65

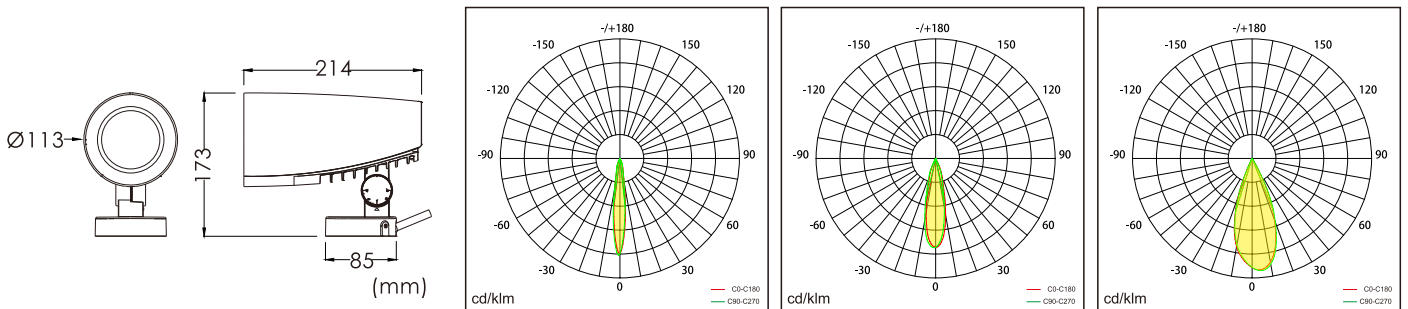
5 years warranty

Application Areas

Trees, buildings and sculptures, etc.

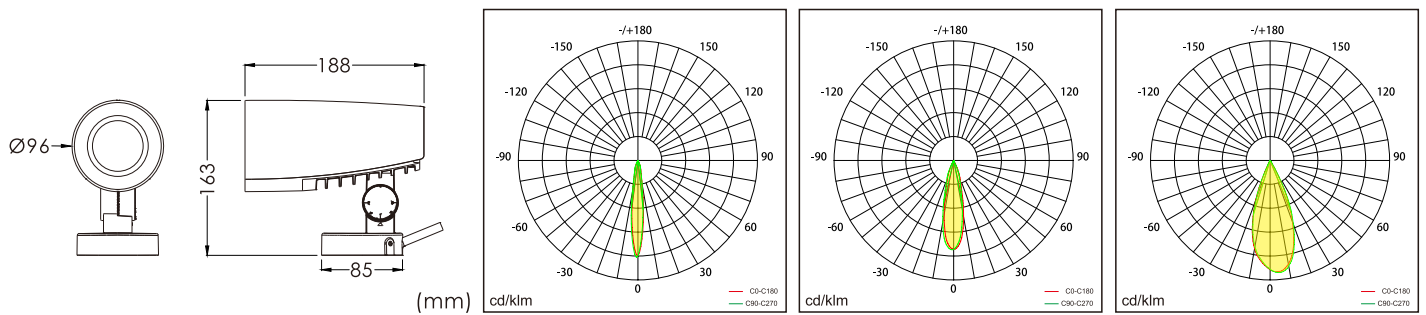


CICA-X



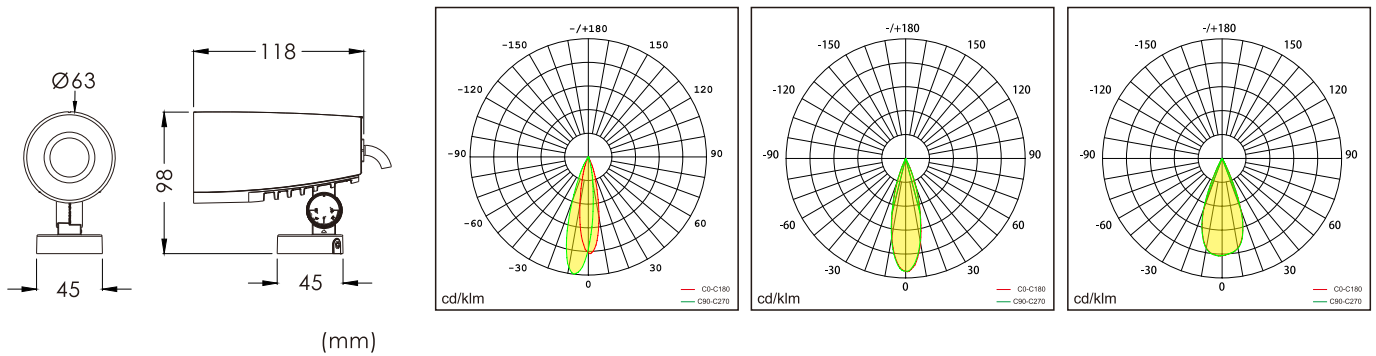
Item No.	B3CX0-40502-NN	B3CX0-40503-NN	B3CX0-40504-NN
	B3CX0-40X02-XN, the eighth X is CCT (3=3000K / 5=4000K), the eleven X is Dimming (N=On/off, D=Dali 2)		
Input Power	40W		
Input Voltage	AC200~240V		
Power Factor	≥0.9		
Luminous Flux(±5%)	2670 lm	2543 lm	2370 lm
Colour temperature	3000K/4000K		
Color Rendering Index	>80		
Life Time	L70(B50)50,000H		
Colour consistency SDCM	<3		
Beam Angle	15°	24°	38°
Dimming	On/off, DALI 2		
Housing Color	Black/Silver		
Fixture Materia	6063AL		
Protection Level	IP65/IK08		
Storage Temperature	-30°C~+60°C		
Working Temperature	-30°C~+45°C		
Net Weight	1.74kg		
Package size	272*205*145mm(1PCS)		
20GP	3872PCS		
40GP	7917PCS		

CICA-M



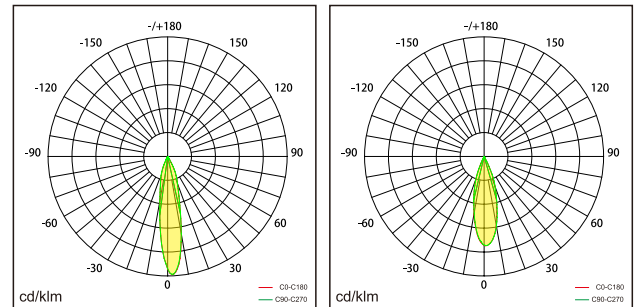
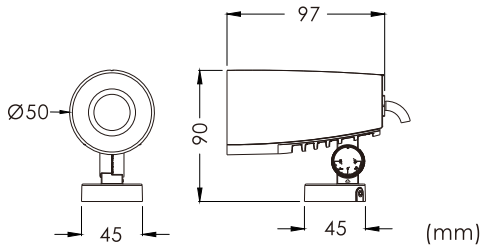
Item No.	B3CM0-27502-NN	B3CM0-27503-NN	B3CM0-27504-NN
	B3CM0-27X02-XN, the eighth X is CCT (3=3000K / 5=4000K), the eleven X is Dimming (N=On/off, D=Dali 2)		
Input Power	27W		
Input Voltage	AC200~240V		
Power Factor	≥0.9		
Luminous Flux(±5%)	1730 lm	2050 lm	1810 lm
Colour temperature	3000K/4000K		
Color Rendering Index	>80		
Life Time	L70(B50)50,000H		
Colour consistency SDCM	<3		
Beam Angle	15°	24°	38°
Dimming	On/off, DALI 2		
Housing Color	Black/Silver		
Fixture Materia	6063AL		
Protection Level	IP65/IK08		
Storage Temperature	-30°C~+60°C		
Working Temperature	-30°C~+45°C		
Net Weight	1.42kg		
Package size	247*195*128mm(1PCS)		
20GP	5100PCS		
40GP	10419CS		

CICA-S



Item No.	B3CS0-10502-NN	B3CS0-10503-NN	B3CS0-10504-NN
	B3CS0-10X02-NN, the eighth X is CCT (3=3000K / 5=4000K)		
Input Power	10W		
Input Voltage	AC200~240V		
Power Factor	≥0.9		
Luminous Flux(±5%)	685 lm	594 lm	706 lm
Colour temperature	3000K/4000K		
Color Rendering Index	>80		
Life Time	L70(B50)50,000H		
Colour consistency SDCM	<3		
Beam Angle	15°	24°	38°
Dimming	NO		
Housing Color	Black/Silver		
Fixture Materia	6063AL		
Protection Level	IP65/IK08		
Storage Temperature	-30°C~+60°C		
Working Temperature	-30°C~+45°C		
Net Weight	0.51kg		
Package size	175*130*95mm(1PCS)		
20GP	14608PCS		
40GP	29836CS		

CICA-T



Item No.	B3CT0-04503-NN	B3CT0-04504-NN
	B3CT0-04X03-NN, the eighth X is CCT (3=3000K / 5=4000K)	
Input Power	4W	
Input Voltage	AC200~240V	
Power Factor	≥0.9	
Luminous Flux(±5%)	310 lm	315 lm
Colour temperature	3000K/4000K	
Color Rendering Index	>80	
Life Time	L70(B50)50,000H	
Colour consistency SDCM	<3	
Beam Angle	24°	36°
Dimming	NO	
Housing Color	Black/Silver	
Fixture Materia	6063AL	
Protection Level	IP65/IK08	
Storage Temperature	-30°C~+60°C	
Working Temperature	-30°C~+45°C	
Net Weight	0.33kg	
Package size	156*123*82mm(1PCS)	
20GP	18702PCS	
40GP	38183CS	

Shenzhen Nexol Lighting Technology Co.,Ltd.

E-mail: info@nexol-lighting.com

www.nexol-lighting.com

Factory: Floor 6-9, Building 3, Tonghu Intelligent Industrial Park, Zhongkai High-Tech District, HuiZhou 516035

Office: Room 306&309, Floor 3, Building E, Longhua Digital Industrial Park, Guanlan Road 54-6, Longhua district, Shenzhen, China 518110

All values in specification are typical value from laboratory measurement, for concrete data, please refer to shipment testing report. Information provided is subject to change without notice. Please verify all details with NEXOL Lighting.

Copyright Shenzhen Nexol Lighting Co., Ltd.. All rights reserved.

