

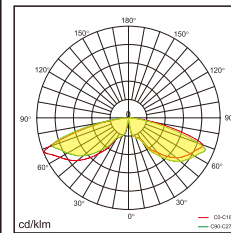
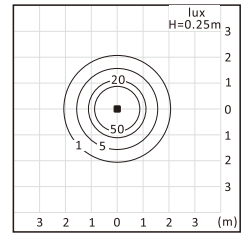
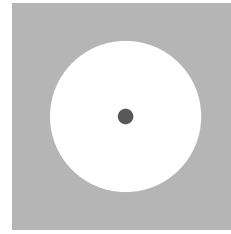
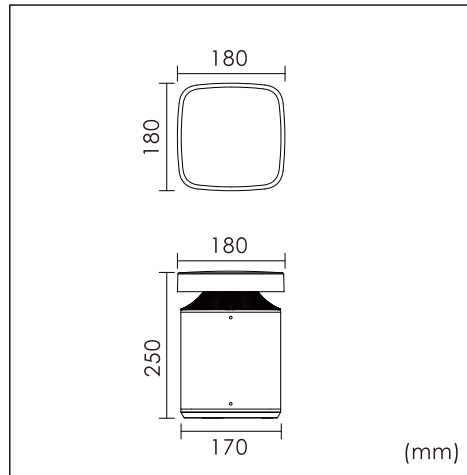
Bole-S

A lighting tool for pathways and squares



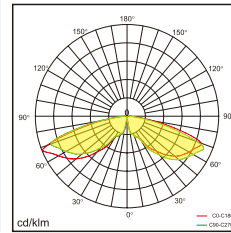
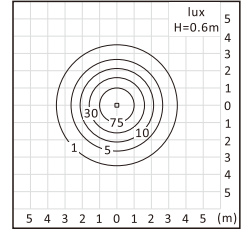
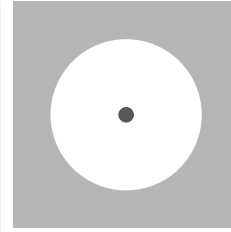
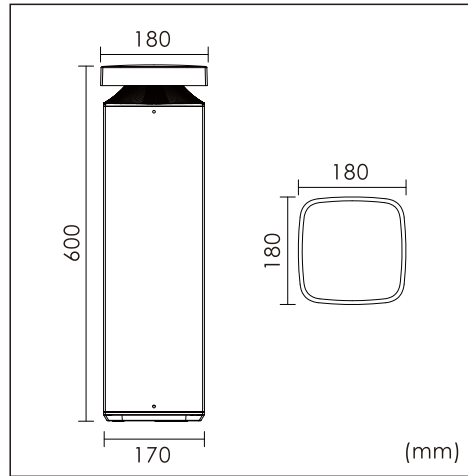
The Bole luminaire visually connects paths and squares outdoor: one light distributions and three construction sizes enable nuanced lighting designs with just a single luminaire range. Its innovative optical system with ringshaped lens creates light distribution aligned at 360° light distribution for open areas. The Bole lighting technology is designed for uniform illumination. Luminaire spacing of up to 10m is possible without compromises in terms of glare control.

Technical data

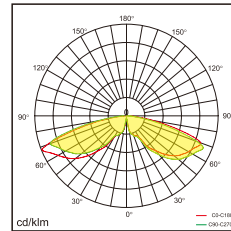
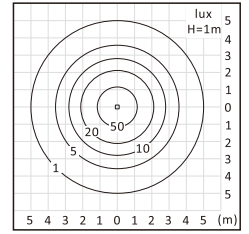
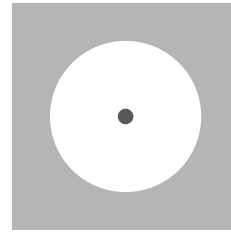
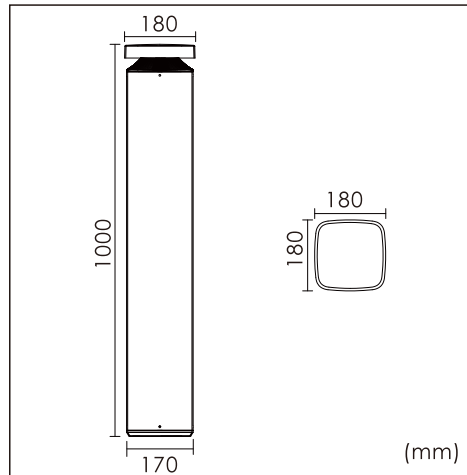


Item No.	B1BS0-24580-NN	B1BS0-24580-DN	B1BS0-12580-NN	B1BS0-12580-DN
Input Power	24W	24W	12W	12W
Input Voltage	AC200~240V	AC200~240V	AC200~240V	AC200~240V
Luminous Flux(±5%)	1162 lm	1162 lm	505 lm	505 lm
Colour temperature	4000K	4000K	4000K	4000K
Radial beam	360°	360°	360°	360°
Total light flux at or above an angle of 90°	<4%	<4%	<4%	<4%
Color Rendering Index	>80	>80	>80	>80
Life Time	L70(B50)50,000H	L70(B50)50,000H	L70(B50)50,000H	L70(B50)50,000H
Colour consistency SDCM	<3	<3	<3	<3
Dimming	NO	DALI	NO	DALI
Housing Color	Black/Silver	Black/Silver	Black/Silver	Black/Silver
Fixture Materia	6063AL	6063AL	6063AL	6063AL
Protection Level	IP65/IK08	IP65/IK08	IP65/IK08	IP65/IK08
Storage Temperature	-30°C~+60°C	-30°C~+60°C	-30°C~+60°C	-30°C~+60°C
Working Temperature	-30°C~+45°C	-30°C~+45°C	-30°C~+45°C	-30°C~+45°C
Net Weight	2.55kg	2.55kg	2.55kg	2.55kg
Size	180*180*250mm	180*180*250mm	180*180*250mm	180*180*250mm
Package size	385*225*225mm	385*225*225mm	385*225*225mm	385*225*225mm
20GP	1560 PCS	1560 PCS	1560 PCS	1560 PCS
40GP	3200 PCS	3200 PCS	3200 PCS	3200 PCS

Technical data



Item No.	B1BS1-24580-NN	B1BS1-24580-DN
Input Power	24W	24W
Input Voltage	AC200~240V	AC200~240V
Luminous Flux(±5%)	1162 lm	1162 lm
Colour temperature	4000K	4000K
Radial beam	360°	360°
Total light flux at or above an angle of 90°	<4%	<4%
Color Rendering Index	>80	>80
Life Time	L70(B50)50,000H	L70(B50)50,000H
Colour consistency SDCM	<3	<3
Dimming	NO	DALI
Housing Color	Black/Silver	Black/Silver
Fixture Materia	6063AL	6063AL
Protection Level	IP65/IK08	IP65/IK08
Storage Temperature	-30°C~+60°C	-30°C~+60°C
Working Temperature	-30°C~+45°C	-30°C~+45°C
Net Weight	4.05kg	4.05kg
Size	180*180*600mm	180*180*600mm
Package size	735*225*225mm	735*225*225mm
20GP	810 PCS	810 PCS
40GP	1660 PCS	1660 PCS



Item No.	B1BS2-24580-NN	B1BS2-24580-DN
Input Power	24W	24W
Input Voltage	AC200~240V	AC200~240V
Luminous Flux(±5%)	1162 lm	1162 lm
Colour temperature	4000K	4000K
Radial beam	360°	360°
Total light flux at or above an angle of 90°	<4%	<4%
Color Rendering Index	>80	>80
Life Time	L70(B50)50,000H	L70(B50)50,000H
Colour consistency SDCM	<3	<3
Dimming	NO	DALI
Housing Color	Black/Silver	Black/Silver
Fixture Materia	6063AL	6063AL
Protection Level	IP65/IK08	IP65/IK08
Storage Temperature	-30°C~+60°C	-30°C~+60°C
Working Temperature	-30°C~+45°C	-30°C~+45°C
Net Weight	5.75kg	5.75kg
Size	180*180*1000mm	180*180*1000mm
Package size	1135*225*225mm	1135*225*225mm
20GP	520 PCS	520 PCS
40GP	1060 PCS	1060 PCS

Shenzhen Nexol Lighting Technology Co.,Ltd.

E-mail: info@nexol-lighting.com

www.nexol-lighting.com

Factory: Floor 6-9, Building 3, Tonghu Intelligent Industrial Park, Zhongkai High-Tech District, HuiZhou 516035

Office: Room 306&309, Floor 3, Building E, Longhua Digital Industrial Park, Guanlan Road 54-6, Longhua district, Shenzhen, China 518110

All values in specification are typical value from laboratory measurement, for concrete data, please refer to shipment testing report. Information provided is subject to change without notice. Please verify all details with NEXOL Lighting.

Copyright Shenzhen Nexol Lighting Co., Ltd.. All rights reserved.

