



Bole is a range of high-quality IP65 bollard light with a contemporary and classic design. The fixture is with die-casting head, extrusion aluminum body and PC optical concept, Sophisticated surface finish gives a high end appearance of texture Thanks to perfect powder coating , Our bollards have IP65 certificate tough weather conditions , resistance seawater and corrosion. Bole range is available in Round / Square / Mushroom designs, and each design has 250mm, 600mm, 1000mm height. The professional optical solution offers a fully anti-glare and comfortable light uniformity, reaches 9Meter diameter wide light distribution but a very narrow dark zone under the fixture. We offer 5 years warranty,main uses architectural addition to important business and commercial buildings, corporate headquarters, parks, recreational areas and gardens.

Features

No glare

Light emission 360°

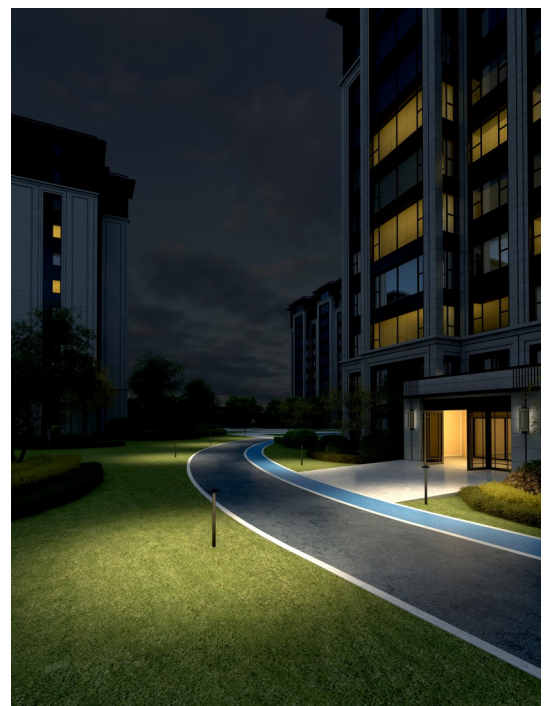
No glare, Long range, Uniform light

Lamp protection grade IP65/IK08

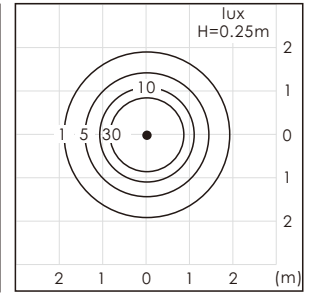
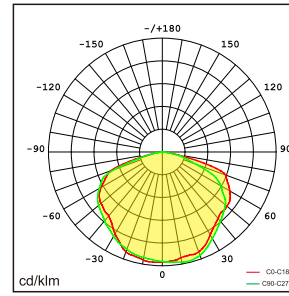
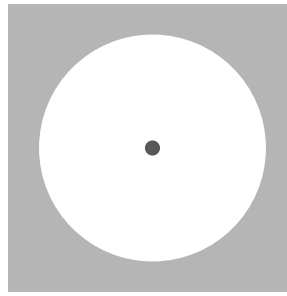
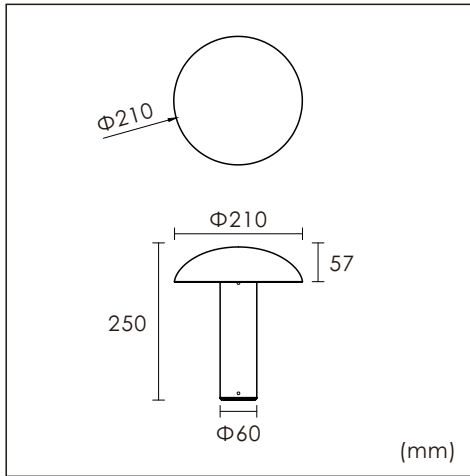
5 years warranty

Application Areas

commercial buildings, corporate headquarters, parks, recreational areas and gardens, etc.

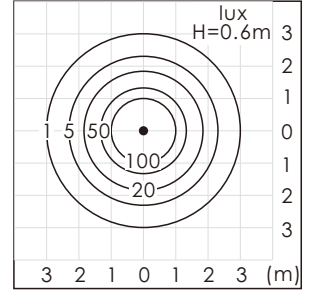
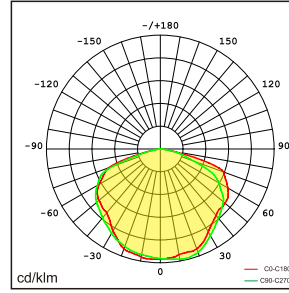
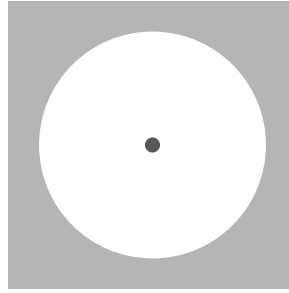
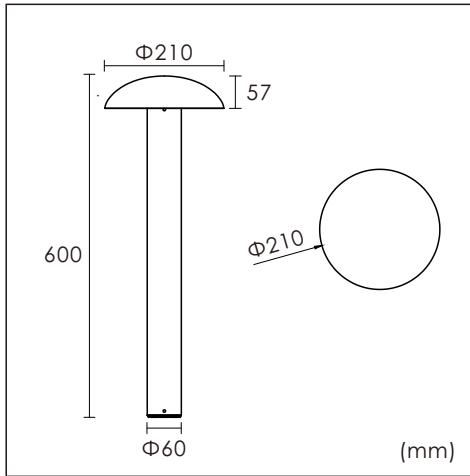


Technical data



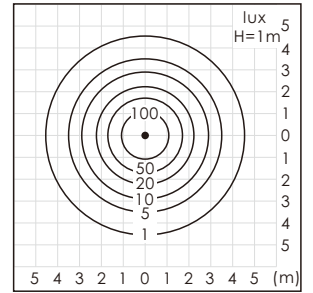
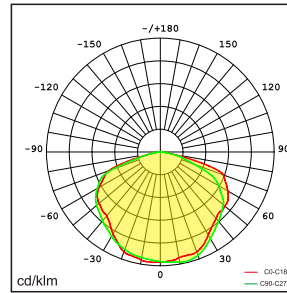
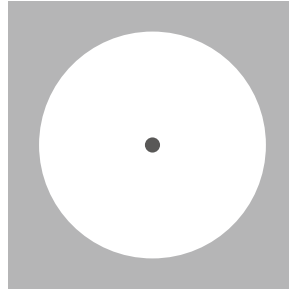
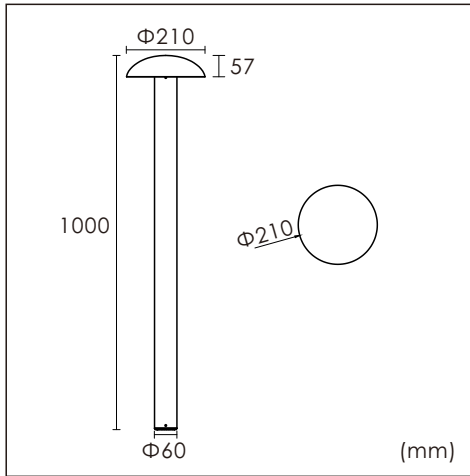
Item No.	B1BU0-10380-NN	B1BU0-10580-NN	B1BU0-24380-NN	B1BU0-24580-NN
Input Power	12W		24W	
Input Voltage	AC220~240V			
Luminous Flux(±5%)	907 lm		2087 lm	
Colour temperature	3000K	4000K	3000K	4000K
Optic	360° distribution			
Total light flux at or above 90°	<0%			
Color Rendering Index	>80			
Life Time	L70(B50)50,000H			
Colour consistency SDCM	<3			
Dimming	NO			
Housing Color	Black/Silver			
Fixture Materia	6063AL+ADC12+PC			
Protection Level	IP65/IK08			
Storage Temperature	-30°C~+60°C			
Working Temperature	-30°C~+45°C			
Net Weight	1.3kg			
Size	Φ210*250mm			
Package size	395*315*130mm(1PCS)			
20GP	1890 PCS			
40GP	3906 PCS			

Technical data



Item No.	B1BU1-24380-NN	B1BU1-24580-NN
Input Power	24W	
Input Voltage	AC220~240V	
Luminous Flux(±5%)	2087 lm	
Colour temperature	3000K	4000K
Optic	360° distribution	
Total light flux at or above 90°	<0%	
Color Rendering Index	>80	
Life Time	L70(B50)50,000H	
Colour consistency SDCM	<3	
Dimming	NO	
Housing Color	Black/Silver	
Fixture Materia	6063AL+ADC12+PC	
Protection Level	IP65/IK08	
Storage Temperature	-30°C~+60°C	
Working Temperature	-30°C~+45°C	
Net Weight	1.65kg	
Size	Φ210*600mm	
Package size	605*495*130mm(2PCS)	
20GP	1512 PCS	
40GP	3276 PCS	

Technical data



Item No.	B1BU2-24380-NN	B1BU2-24580-NN
Input Power	24W	
Input Voltage	AC220~240V	
Luminous Flux(±5%)	2087 lm	
Colour temperature	3000K	4000K
Optic	360° distribution	
Total light flux at or above 90°	<0%	
Color Rendering Index	>80	
Life Time	L70(B50)50,000H	
Colour consistency SDCM	<3	
Dimming	NO	
Housing Color	Black/Silver	
Fixture Materia	6063AL+ADC12+PC	
Protection Level	IP65/IK08	
Storage Temperature	-30°C~+60°C	
Working Temperature	-30°C~+45°C	
Net Weight	1.95kg	
Size	Φ210*1000mm	
Package size	1005*315*220mm(3PCS)	
20GP	1230 PCS	
40GP	2550 PCS	



Spike

Φ43*210mm



L-type bracket

Φ120*200mm



M682-B(3P)
IP68 Waterproof connector
72mm*21mm



M684-B(5P)
IP68 Waterproof connector
99mm*25mm



M685-Y
IP68 Waterproof connector
140mm*72mm