



Bole-M is a high-quality bollard made of stretched aluminum, die-cast aluminum, and PC optical components. Its exquisite surface treatment provides good weather resistance with an IP65 protection grade. Bole-M has three key advantages: anti-glare lighting, wide irradiation range, and excellent illumination uniformity. Its usage is ideal for lawns and pavements in parks, squares, villas and courtyards.

Features

Light emission 360°

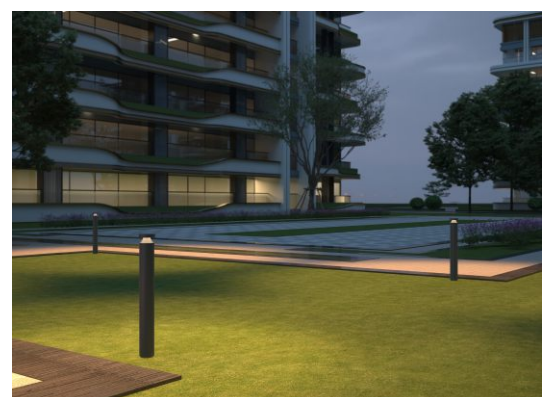
No glare, Long range, Uniform light

Come with several size H350, H750

Dali Dimming

Lamp protection grade IP65/IK10

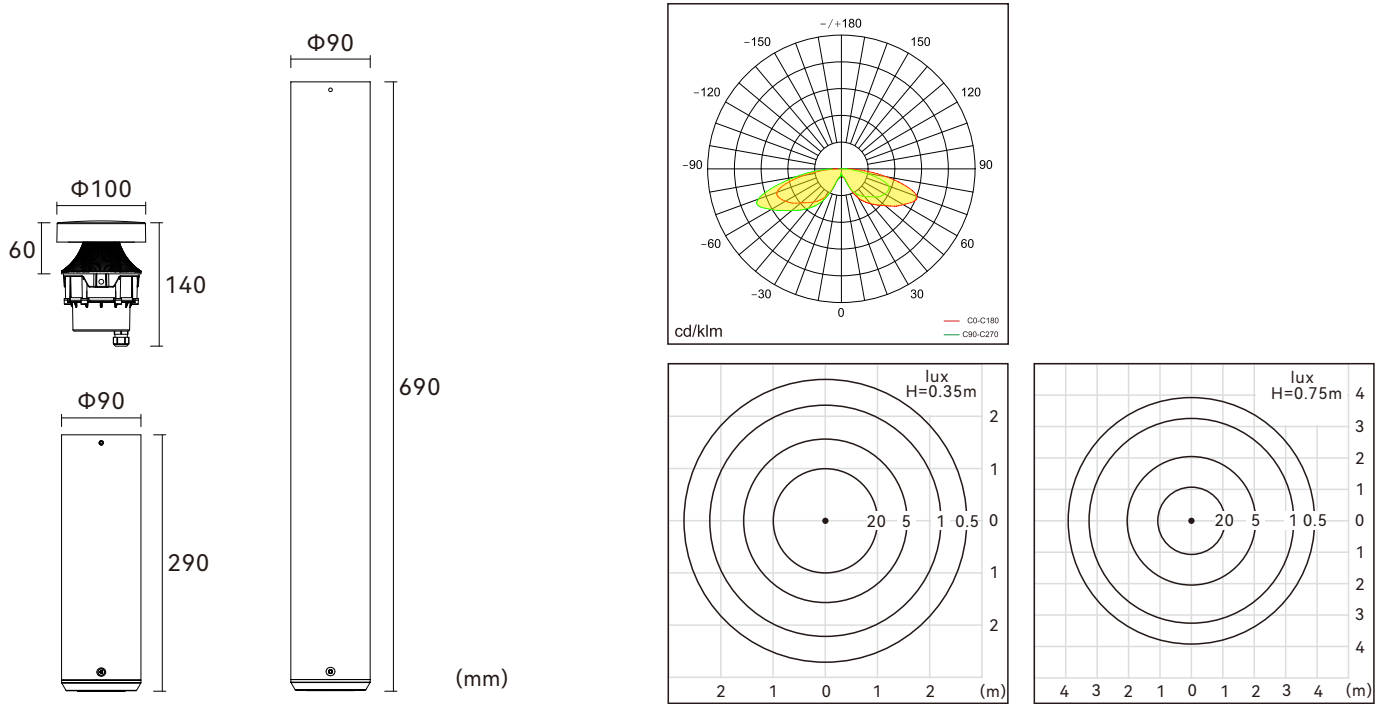
5 years warranty



Application Areas

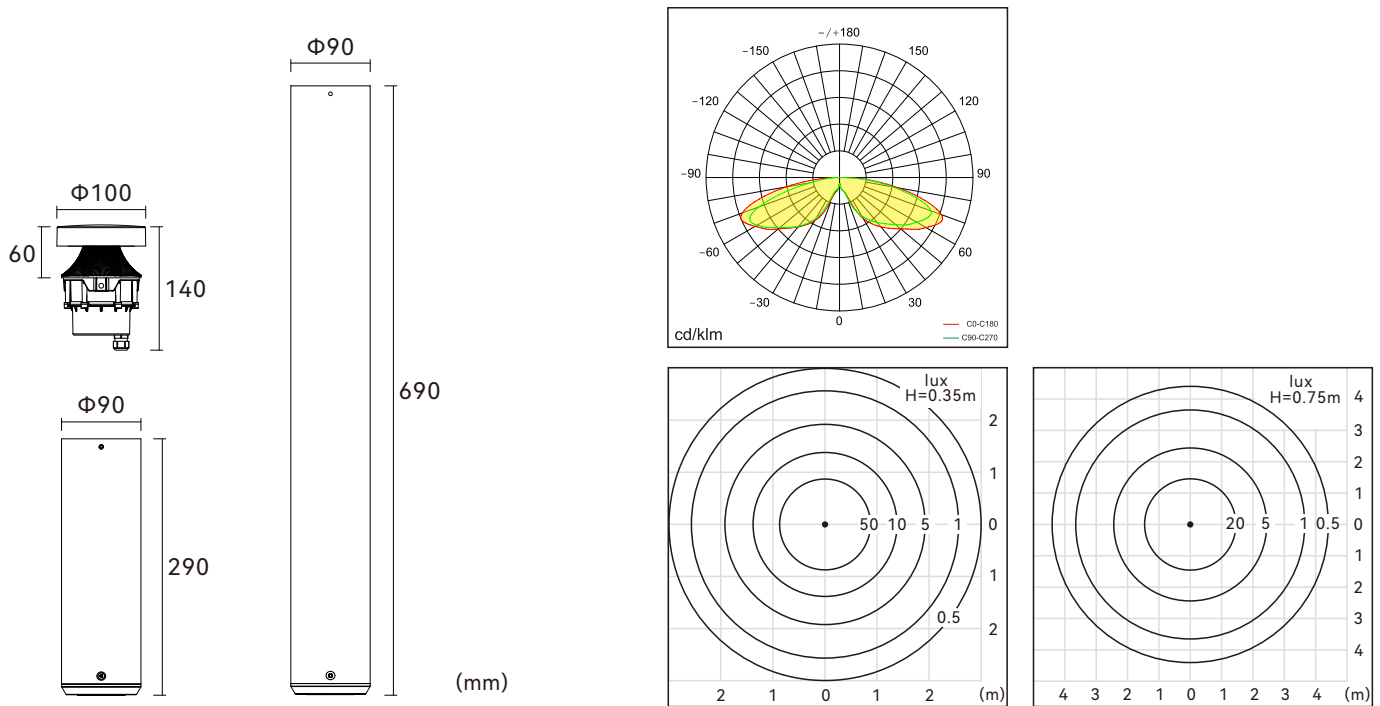
Commercial buildings, corporate headquarters, parks, recreational areas and gardens, etc.

Technical data



Item No.	B1BM0-06380-NN	B1BM0-06580-NN	B1BM0-06380-DN	B1BM0-06580-DN
Input Power(±10%)	6.5W			
Input Voltage	AC200~240V			
Luminous Flux(±10%)	324lm			
Colour temperature(±10%)	3000K	4000K	3000K	4000K
Optic	360° distribution			
Color Rendering Index	>80			
Life Time	L70(B50)50,000H			
Colour consistency SDCM	<3			
Dimming	NO		DALI	
Sensor	NO			
Housing Color	Black/White/Silver/Dark Grey			
Fixture Materia	ADC12+6063AL+PC			
Protection Level	IP65/IK10			
Storage Temperature	-30°C~+60°C			
Working Temperature	-30°C~+45°C			
Net Weight	1.8kg / 2.2kg			
size	φ100*350mm / φ100*750mm			
Package size	512*173*177mm (1PCS) / 912*173*177mm (1PCS)			
20GP	1915PCS (350mm) / 1140PCS (750mm)			
40GP	3943PCS (350mm) / 2321PCS (750mm)			

Technical data



Item No.	B1BM1-12380-NN	B1BM1-12580-NN	B1BM1-12380-DN	B1BM1-12580-DN
Input Power(±10%)	12W			
Input Voltage	AC200~240V			
Luminous Flux(±10%)	608lm			
Colour temperature(±10%)	3000K	4000K	3000K	4000K
Optic	360° distribution			
Color Rendering Index	>80			
Life Time	L70(B50)50,000H			
Colour consistency SDCM	<3			
Dimming	NO		DALI	
Sensor	NO			
Housing Color	Black/White/Silver/Dark Grey			
Fixture Materia	ADC12+6063AL+PC			
Protection Level	IP65/IK10			
Storage Temperature	-30°C~+60°C			
Working Temperature	-30°C~+45°C			
Net Weight	1.8kg / 2.2kg			
size	φ100*350mm / φ100*750mm			
Package size	512*173*177mm (1PCS) / 912*173*177mm (1PCS)			
20GP	1915PCS (350mm) / 1140PCS (750mm)			
40GP	3943PCS (350mm) / 2321PCS (750mm)			



J Anchor Bolt Kit

Φ120x200mm



Expansion screw

M6-Φ8x80mm



M682-B(3P)

IP68 Waterproof connector

72x21mm



M684-B(5P)

IP68 Waterproof connector

99x25mm



M685-Y

IP68 Waterproof connector

140x72mm