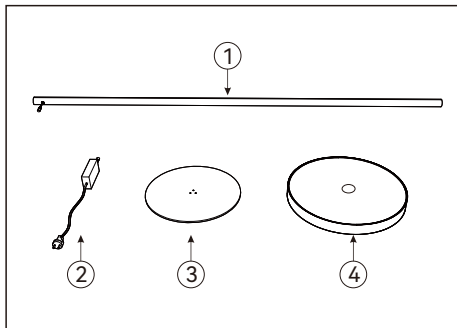
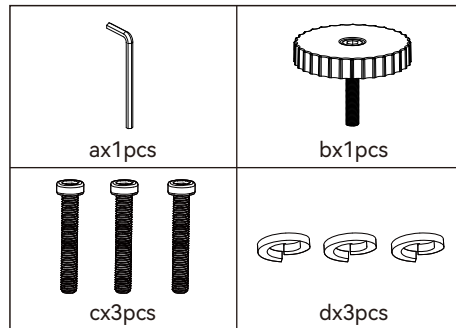


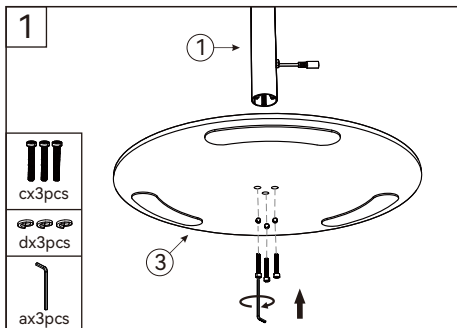
Installation instruction



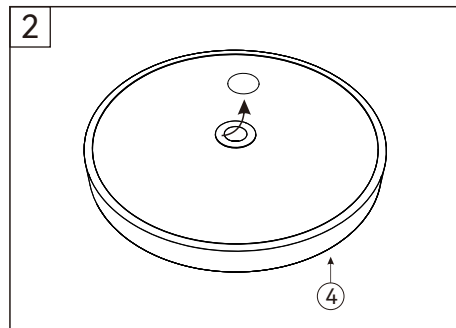
Product list: ① Pole ② Power supply
③ base plate ④ lamp body



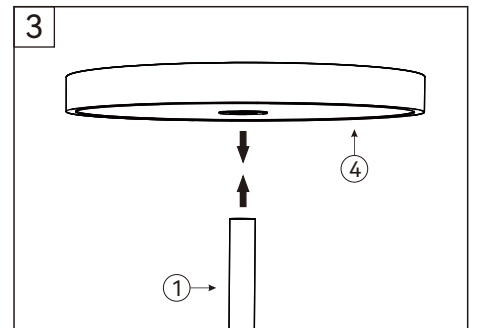
Accessories bag



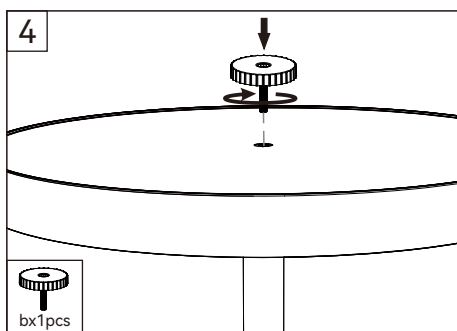
Secure the lamp pole to the base



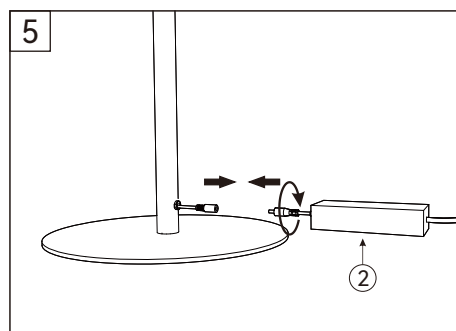
Remove the transparent sticker



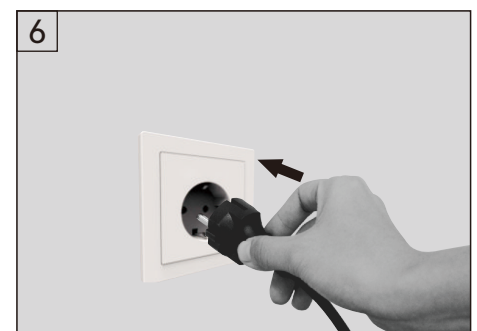
Insert the lamp head into one end of lamp pole



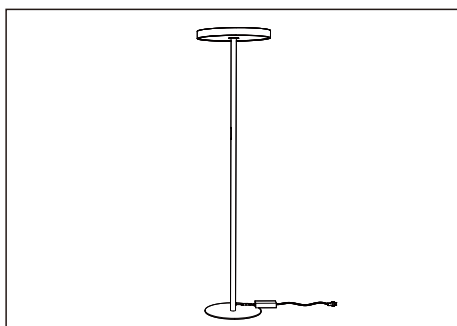
The hand screw goes through lamp head and rotates clockwise to secure it to the lamp pole



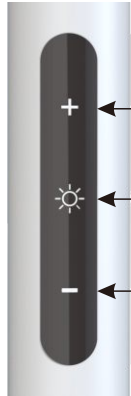
Plug the male end of the power output cable into the light pole input cable, rotate it 90° and fasten it.



Plug in the power cord



Manual



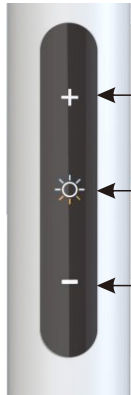
Long press to dimming +

On-Off Switch:

1. ON: Turn on and will keep light same as previous status automatically
2.OFF: Turn off the light

Long press to dimming -

non color dimming



Long press to dimming +

On-Off Switch:

1. ON: Turn on and will keep light same as previous status automatically
2.OFF: Turn off the light
Long press for CCT change

Long press to dimming -

color dimming

