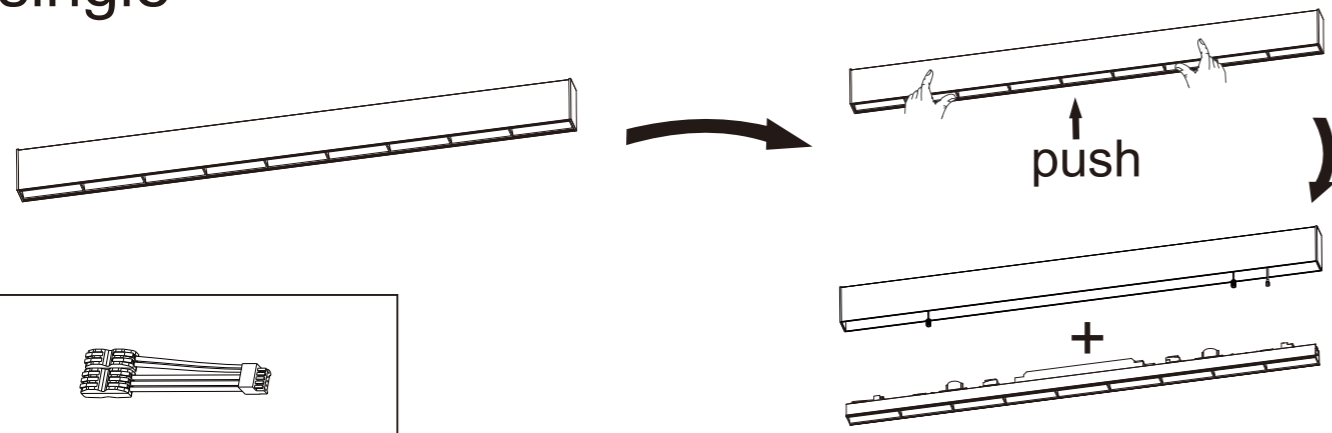
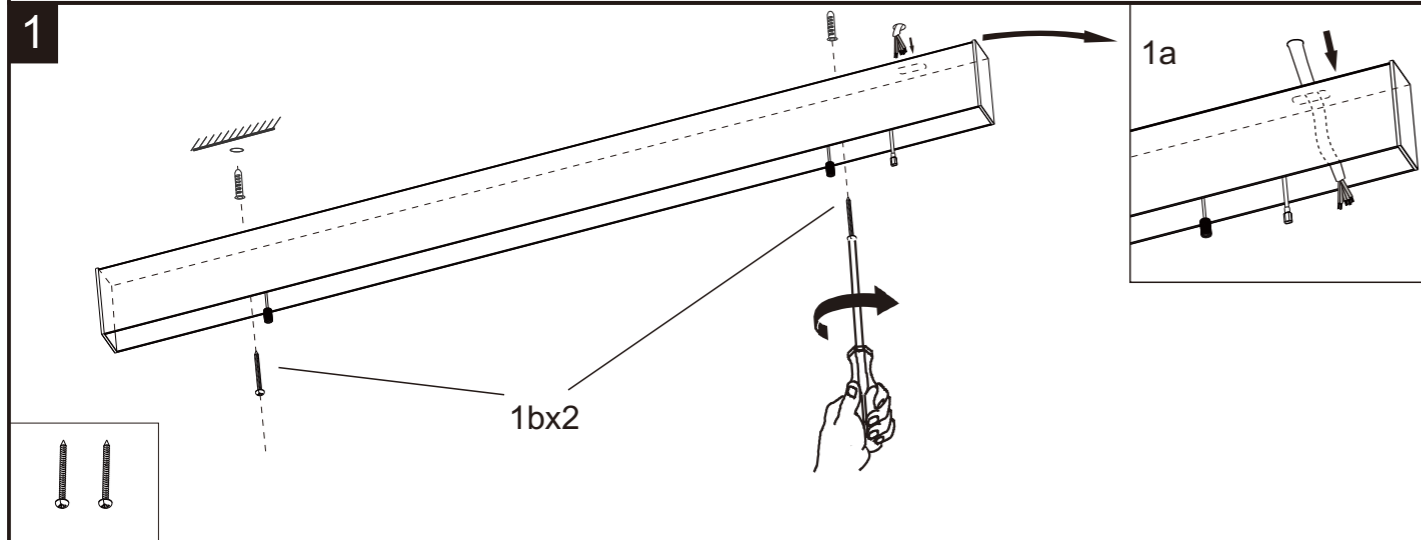
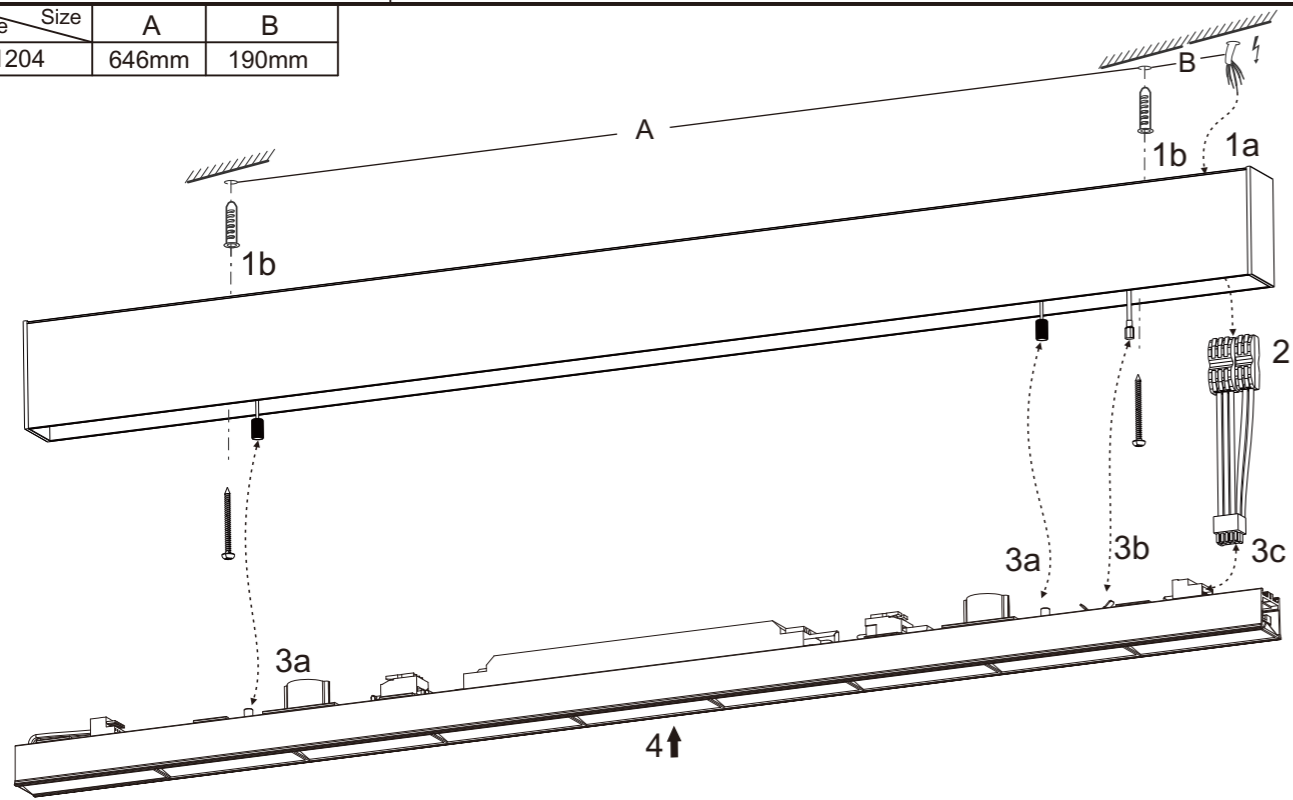


Installation instruction

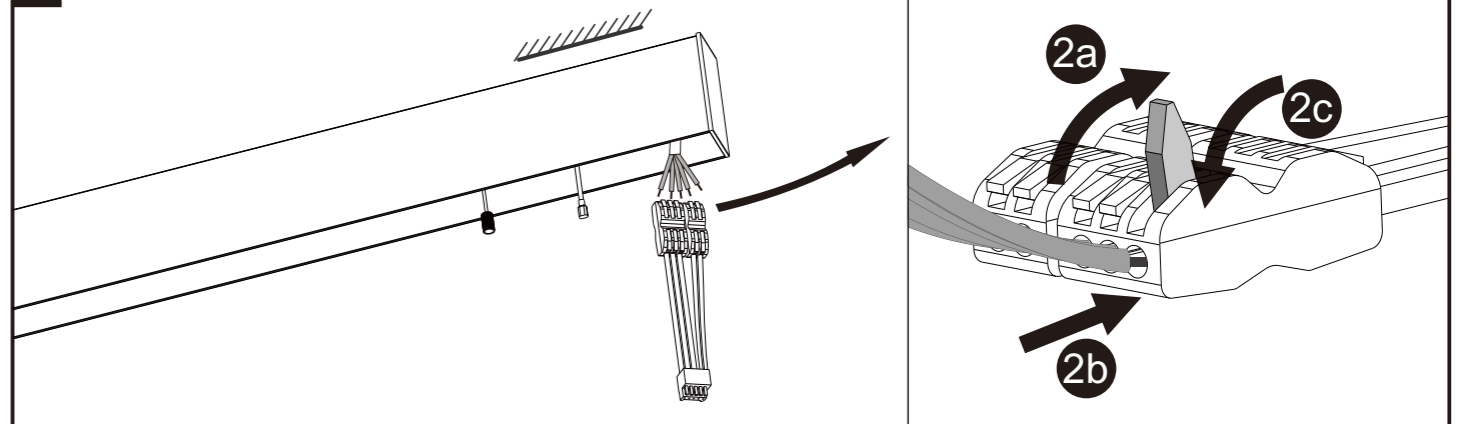
single



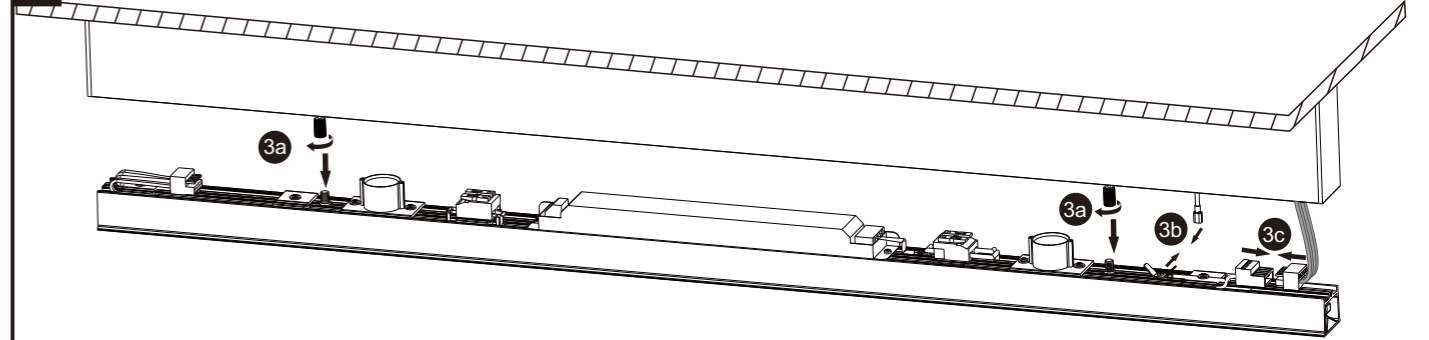
| Type | Size | A | B |
|------|------|-------|-------|
| 1204 | | 646mm | 190mm |



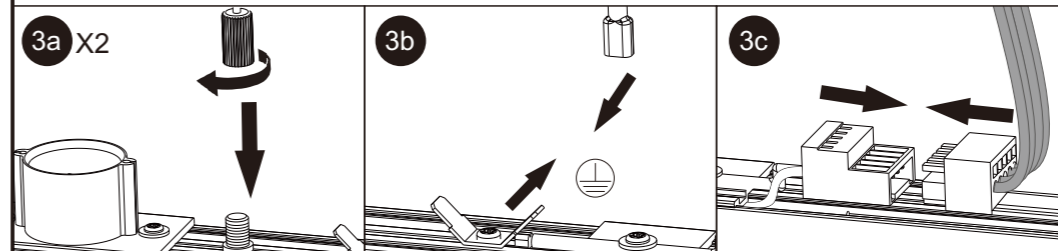
2



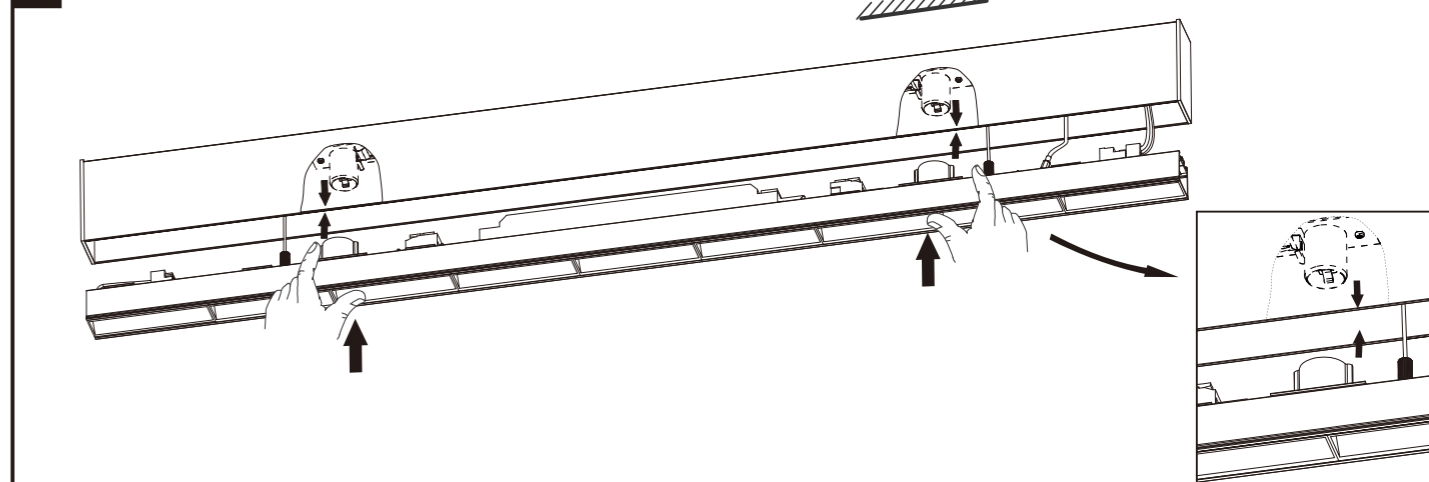
3



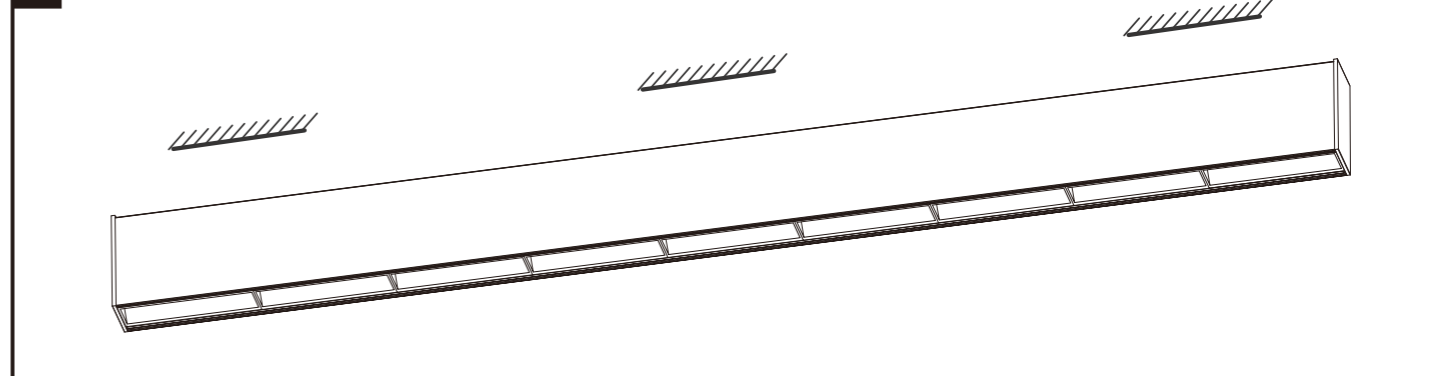
3a X2



4

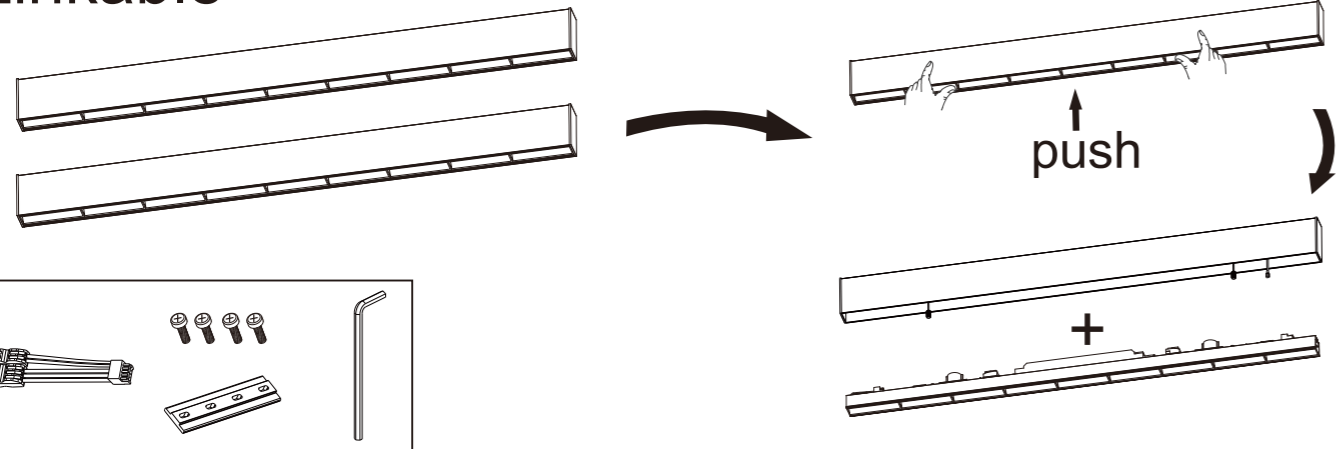


5



Installation instruction

Linkable



| Type | Size | A | B | C |
|------|------|-------|-------|-------|
| 1204 | | 646mm | 190mm | 552mm |

