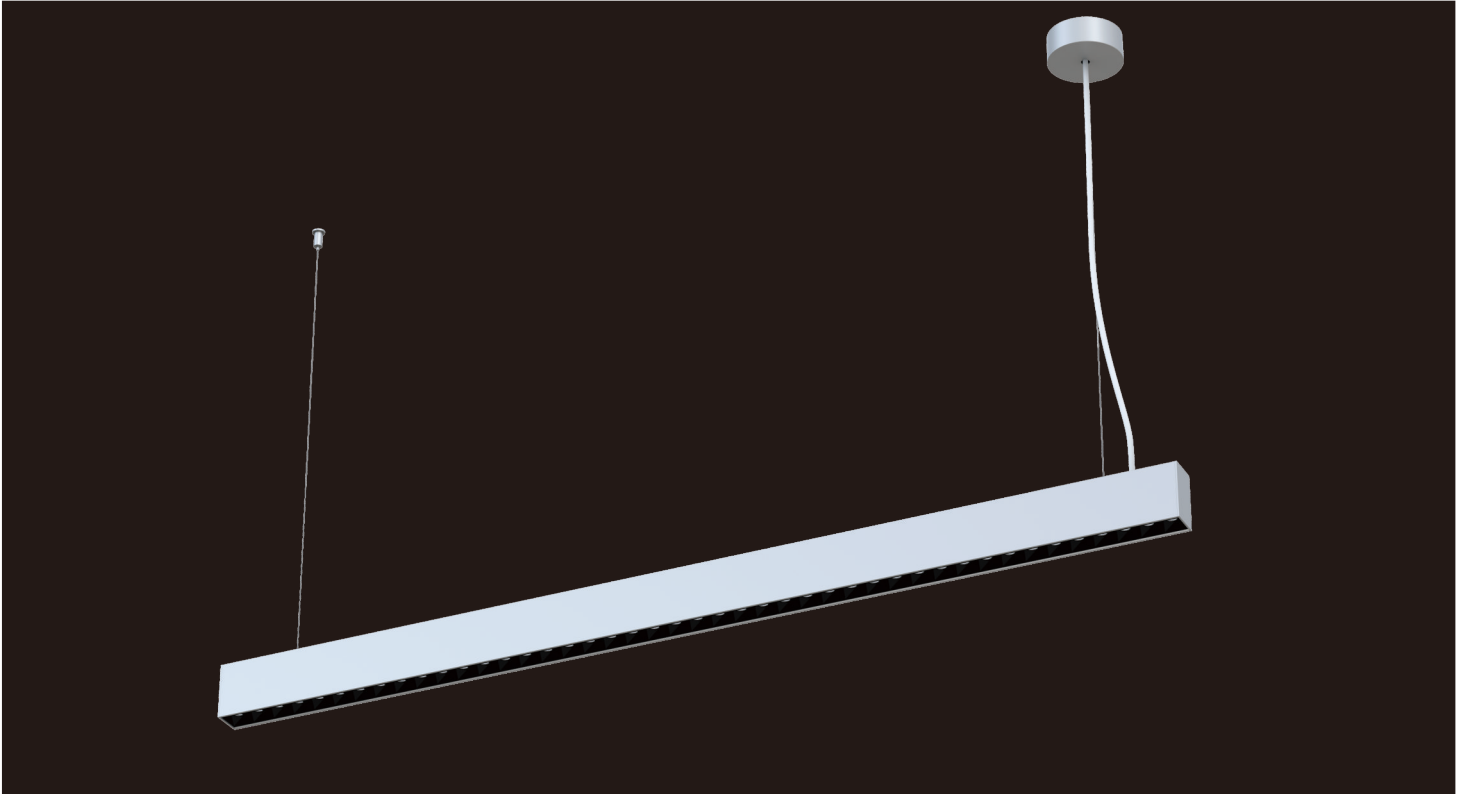


LENO-P2 pendant luminaires



With extremely simple design and excellent craftwork, exquisite appearance looks with rich of texture. Lamp is designed with special Direct/Indirect lighting and 110°(Indirect) beam angle. Collocated with micro reflector and anti-glare cover, it can realize 50°(Direct) beam angle and perfect light cutoff. UGR value is as low as 6. Adopting linkable structure design, there is no light leak gap. Main material includes aluminum profile and PC. Typical value of light efficiency is 125lm/w, and lighting is of flicker free. Direct(50% power)/Indirect(50% power) lighting can be synchronously controlled. Lamp supports 1-10V and DALI dimming. Collocated with CASAMBI wireless system, dimming and tunable white can be realized. Adopting suspended installation.

Features

Simple and rich textured design

UGR<6

Support DALI and 1-10V dimming

Linkable design provide a clean, simple link

Direct and Indirect lighting

Support tunable white

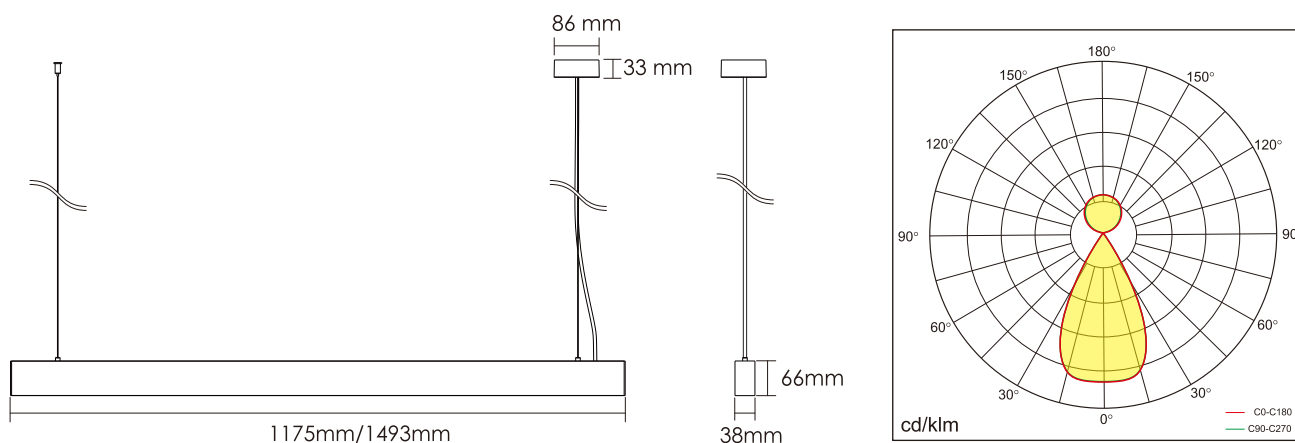
5 years warranty

Application Areas

For open-plan office, Individual office, small meeting room, reception, etc.



Technical data



Item No.	BLEP2-1205025-NN	BLEP2-1205025-VN	BLEP2-1205025-DN
Input Power	↑25W/25W↓		
Input Voltage	AC200~240V		
Power Factor	≥0.9		
Luminous Flux	↑33350lm/2900lm↓		
UGR	<6		
Color Rendering Index	>80		
Life Time	L80(B10)50,000H		
Beam Angle	↑115°/50°↓		
CCT	3000/4000/6000K		
Colour consistency SDCM	< 3		
Dimming	NO	1-10V dimming	DALI dimming
Sensor	NO		
Housing Color	Silver/White		
Fixture Material	6063AL		
Protection Level	IP20		
Storage Temperature	-40°C~+80°C		
Working Temperature	-20°C~+45°C		
Net Weight	2.75kg		
Package size	1330*280*245mm		
20GP	2104pcs		
40GP	4640pcs		

Technical data

Item No.	BLEP2-1506030-NN	BLEP2-1506030-VN	BLEP2-1506030-DN
Input Power	↑30W/30W↓		
Input Voltage	AC200~240V		
Power Factor	≥0.9		
Luminous Flux	↑4000lm/3500lm↓		
UGR	<6		
Color Rendering Index	>80		
Life Time	L80(B10)50,000H		
Beam Angle	↑115°/50°↓		
CCT	3000/4000/6000K		
Colour consistency SDCM	< 3		
Dimming	NO	1-10V dimming	DALI dimming
Sensor	NO		
Housing Color	Silver/White		
Fixture Materia	6063AL		
Protection Level	IP20		
Storage Temperature	-40°C~+80°C		
Working Temperature	-20°C~+45°C		
Net Weight	4.2kg		
Package size	1648*280*245mm		
20GP	1696pcs		
40GP	3744pcs		

Shenzhen Nexol Lighting Technology Co.,Ltd.

E-mail: info@nexol-lighting.com

www.nexol-lighting.com

Factory: Floor 6-9, Building 3, Tonghu Intelligent Industrial Park, Zhongkai High-Tech District, HuiZhou 516035

Office: Room 306&309, Floor 3, Building E, Longhua Digital Industrial Park, Guanlan Road 54-6, Longhua district, Shenzhen, China 518110



All values in specification are typical value from laboratory measurement, for concrete data, please refer to shipment testing report. Information provided is subject to change without notice. Please verify all details with NEXOL Lighting.

Copyright Shenzhen Nexol Lighting Co., Ltd.. All rights reserved.