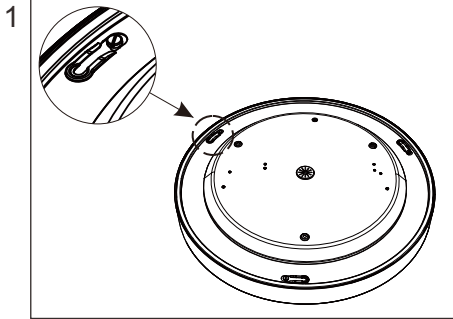
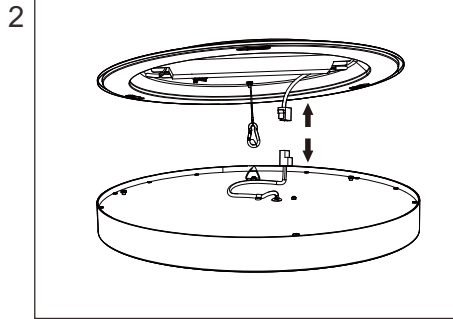


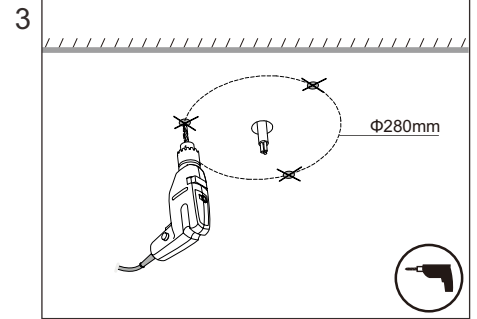
Installation instruction



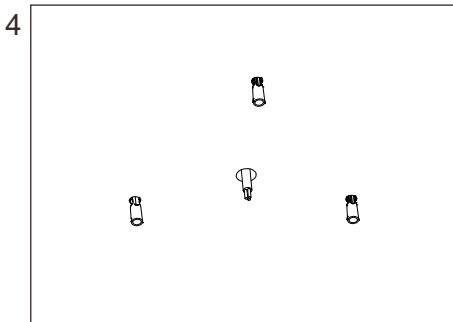
Rotate the ceiling box counterclockwise and remove it from the lamp body



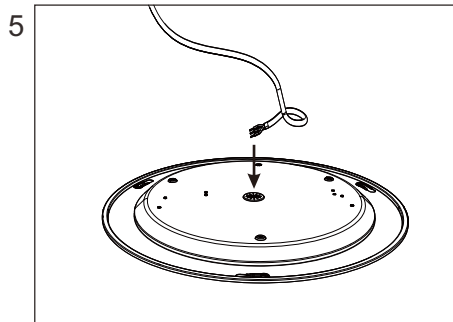
Separate the terminals



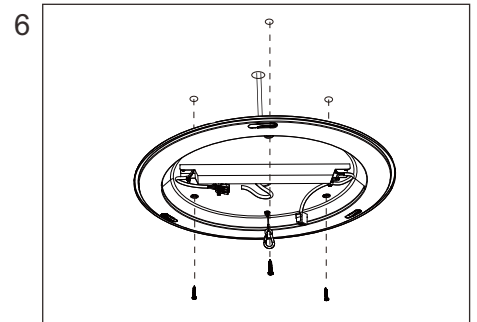
Drill three matching holes evenly in a 280mm diameter circle on the ceiling according to the size of the expansion screw plugs used.



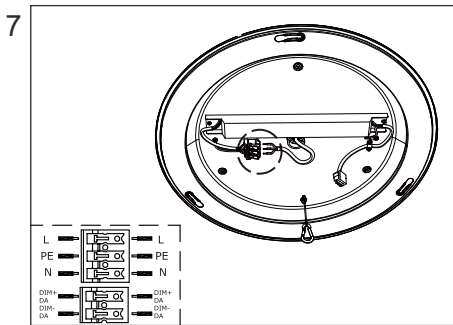
Install the expansion screw rubber plug (Gecko)



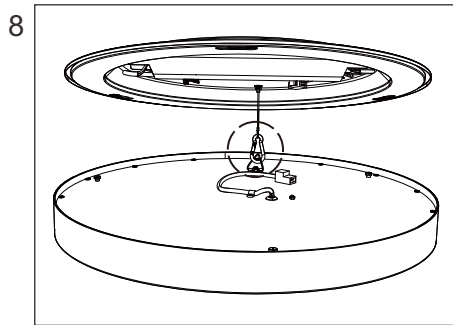
Thread the wires through the hole in the middle of the ceiling box.



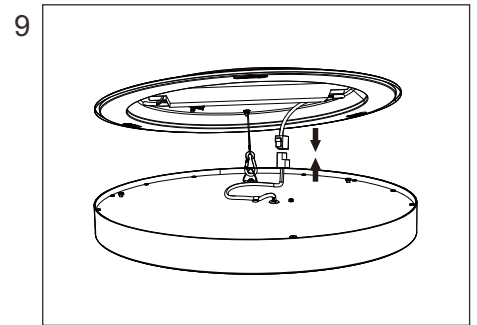
Secure the ceiling box to the ceiling with 4mm diameter screws.



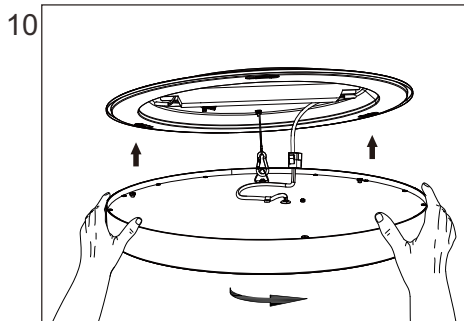
Connect the cable (make sure the power is off, AC200-240V).



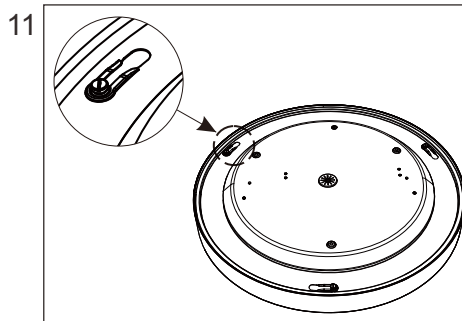
Attach the safety rope to the wire rope of the lamp body



Pair the terminals



Align the three screw caps on the lamp body with the holes on the ceiling box and rotate them clockwise (about 10°) until they can no longer rotate.



If the lamp body becomes slightly loose when pushed upward, it means it has been rotated in place.

