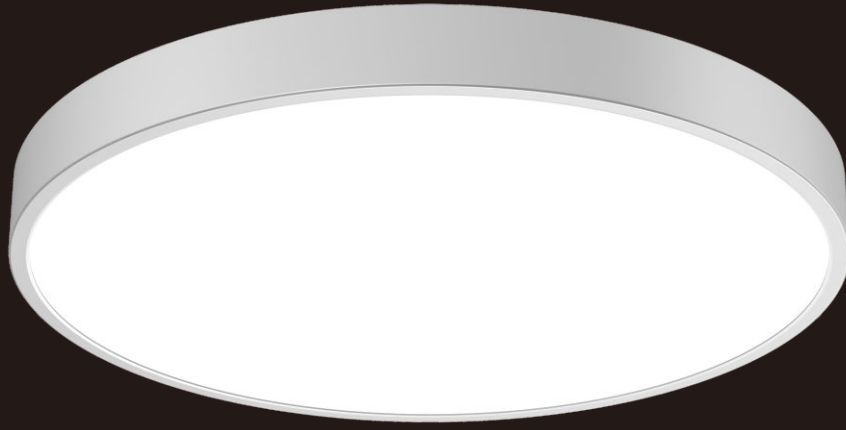


EZY-C

 Surface mounted luminaires

Simple, classic design with excellent craftwork. Appearance with rich texture. Extremely saving installation and maintenance time by revolutionary surface mounted structure. We offer $\phi 450\text{mm}$, $\phi 600\text{mm}$ for choosing. We use special anti-glare cover, Offering comfortable and soft lights for Indirect to support luminous environment. Typical value up to 135lm/W with flicker freely. Support smart functions like Motion sensor, 1-10V and Dali dimming, Tunable white and Emergency function. Work with CASAMBI wireless system to support group setting. Simply assembling structure, flexible to support customers' requirement. Profile aluminum, SGCC, and PC as main materials. Surface mounted installation.

Features

Simple and exquisite industrial design with rich texture

Come with several size $\phi 450\text{mm}$, $\phi 600\text{mm}$

Extremely simple for installation and maintenance

Light efficiency up to 135lm/W

Support smart control functions

- 1-10v dimming
- DALI dimming
- CASAMBI

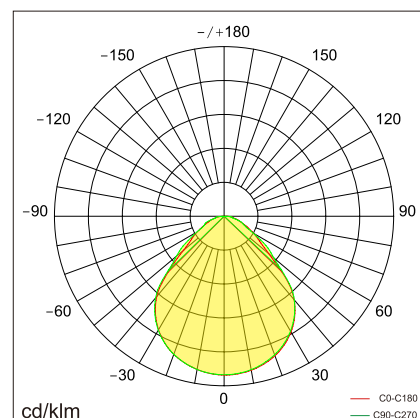
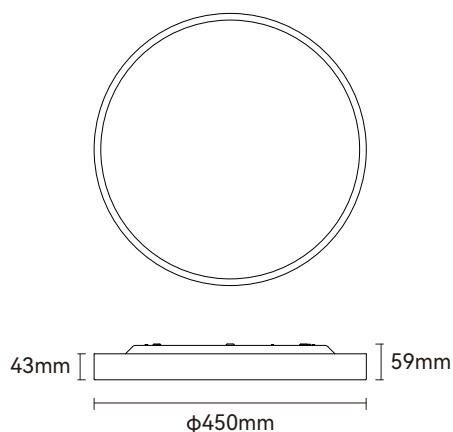
5 years warranty

Application Areas

Open-plan office, individual office, Cafeteria, Corridors, Break-out area, Classroom, etc.

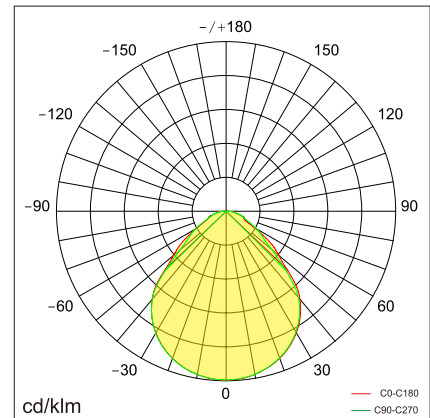
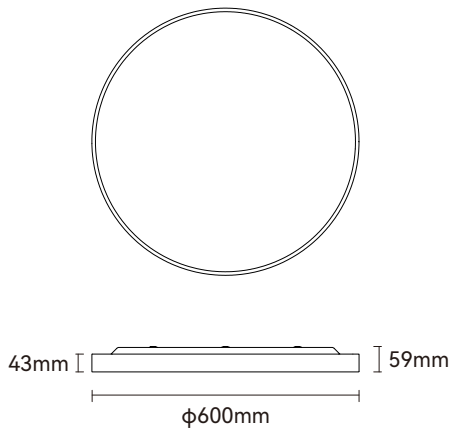


Technical data



Item No.	BEZC-4503030-NN	BEZC-4503030-VN	BEZC-4503030-DN
Input Power($\pm 10\%$)	30W ↓		
Input Voltage	AC200~240V		
Power Factor	≥ 0.9		
Luminous Flux($\pm 10\%$)	3050lm ↓		
UGR	<21		
Color Rendering Index	>80		
Life Time	L80(B10)50,000H		
Beam Angle	90° ↓		
CCT($\pm 200\text{K}$)	3000/4000/6000K		
Colour consistency SDCM	<3		
Dimming	NO	1-10V dimming	Dali dimming
Sensor	NO		
Housing Color	Silver/White/Black		
Fixture Materia	6063AL		
Protection Level	IP20		
Storage Temperature	$-40^{\circ}\text{C}\sim+80^{\circ}\text{C}$		
Working Temperature	$-20^{\circ}\text{C}\sim+45^{\circ}\text{C}$		
Net Weight	2.7kg		
Package size	537*537*122mm		
20GP	800pcs		
40GP	1672pcs		

Technical data



Item No.	BEZC-6004040-NN	BEZC-6004040-VN	BEZC-6004040-DN
Input Power(±10%)	40W ↓		
Input Voltage	AC200~240V		
Power Factor	≥0.9		
Luminous Flux(±10%)	5411lm ↓		
UGR	<21		
Color Rendering Index	>80		
Life Time	L80(B10)50,000H		
Beam Angle	90° ↓		
CCT(±200K)	3000/4000/6000K		
Colour consistency SDCM	<3		
Dimming	NO	1-10V dimming	Dali dimming
Sensor	NO		
Housing Color	Silver/White/Black		
Fixture Materia	6063AL		
Protection Level	IP20		
Storage Temperature	-40°C~+80°C		
Working Temperature	-20°C~+45°C		
Net Weight	4.5kg		
Package size	687*687*122mm		
20GP	456pcs		
40GP	969pcs		

Shenzhen Nexol Lighting Technology Co.,Ltd.

E-mail: info@nexol-lighting.com

www.nexol-lighting.com

Factory: Floor 6-9, Building 3, Tonghu Intelligent Industrial Park, Zhongkai High-Tech District, HuiZhou 516035

Office: Room 306&309, Floor 3, Building E, Longhua Digital Industrial Park, Guanlan Road 54-6, Longhua district, Shenzhen, China 518110



All values in specification are typical value from laboratory measurement, for concrete data, please refer to shipment testing report.

Information provided is subject to change without notice. Please verify all details with NEXOL Lighting.

Copyright Shenzhen Nexol Lighting Co., Ltd.. All rights reserved.