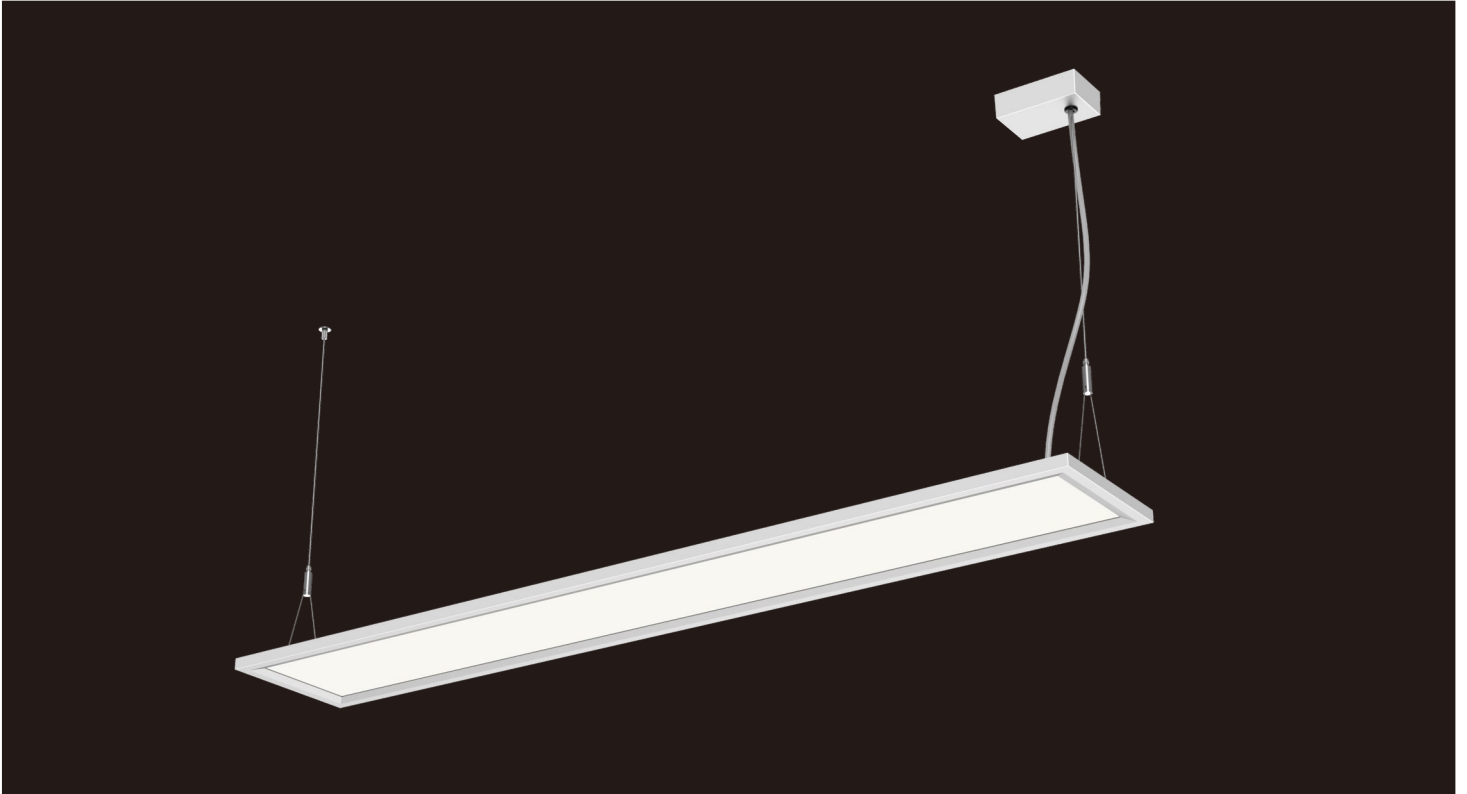


MAYE Pro-PS pendant luminaires



Maye Pro ps is an ultra-thin suspended lamp with a minimalist design style and a side height of only 15mm. The lamp has excellent detail processing and surface skills, and its appearance is very textured. With direct and indirect lighting, it creates a pleasant atmosphere in the room and is well suited to the lighting needs of modern offices. The direct lighting adopts a side-lighting board plus a micro-prism anti-glare structure, UGR < 16; The overall lighting effect can reach 160lm/W, and supports Dali dimming. The lamp can be linked, easy to install, and meet the needs of various space applications

Features

side height of only 15mm

Light efficiency up to 160lm/W

UGR<16

Support DALI dimming

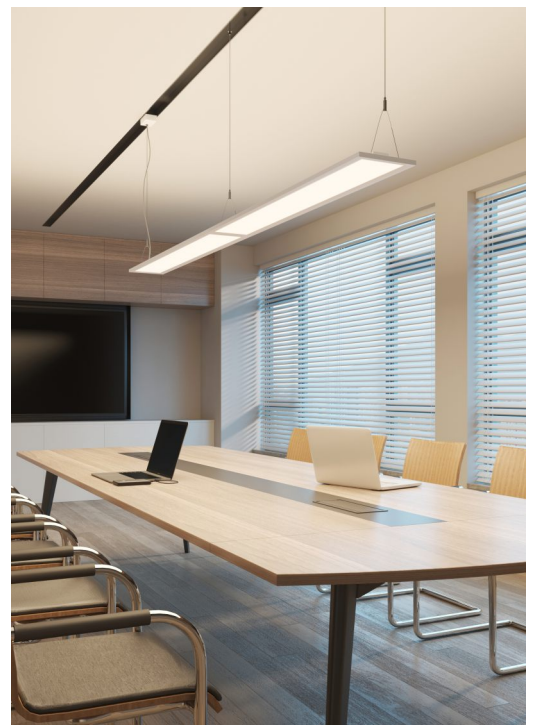
Linkable design provide a clean, simple link

Direct and Indirect lighting

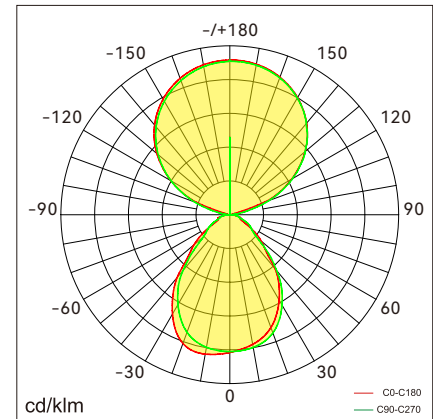
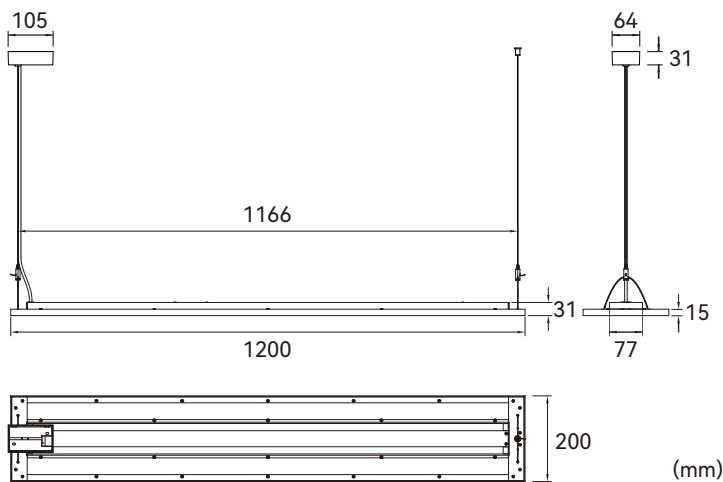
5 years warranty

Application Areas

For open-plan office, Individual office, meeting room, Guest room , etc..

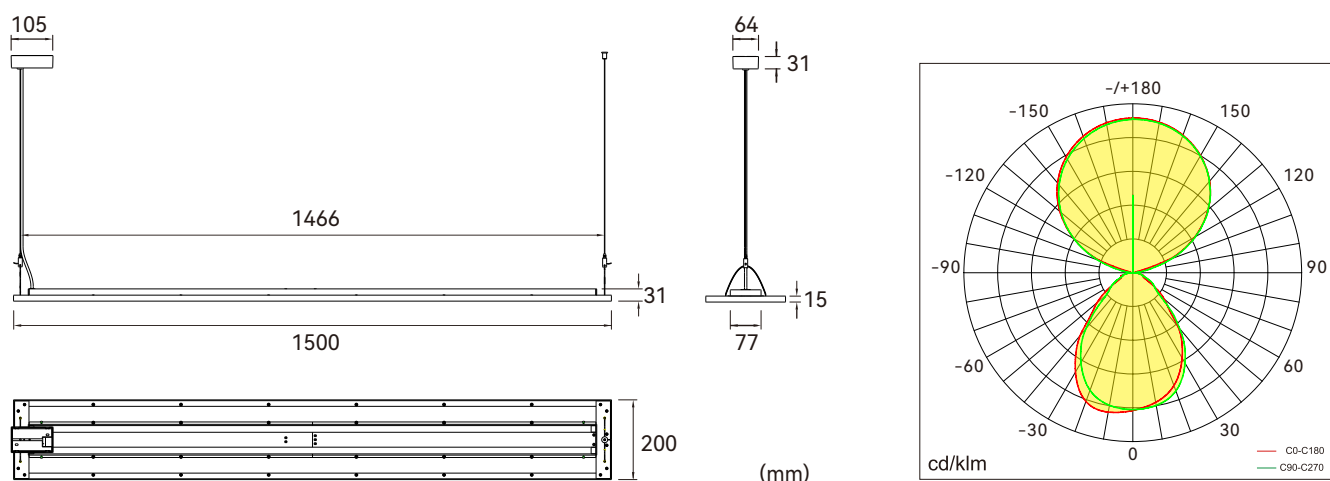


Technical data



Item No.	BMPP-1206030-NN	BMPP-1206030-DN	BMPP-1206020-NN	BMPP-1206020-DN
Input Power(±10%)	60W (↑30W/30W ↓)		60W (↑40W/20W ↓)	
Input Voltage	AC200~240V			
Power Factor	≥0.9			
Luminous Flux(±10%)	8850lm (↑5080lm/3770lm ↓)		9600lm (↑7180lm/2620lm ↓)	
UGR	<16			
Color Rendering Index	>80			
Life Time	L80(B10)50,000H			
Beam Angle	↑115°/80° ↓			
CCT(±200K)	3000/4000/6000K			
Colour consistency SDCM	<3			
Dimming	On/off	DALI dimming	On/off	DALI dimming
Sensor	NO			
Housing Color	Silver / White / Black			
Fixture Materia	6063AL			
Protection Level	IP20			
Storage Temperature	-40°C~+80°C			
Working Temperature	-20°C~+45°C			
Net Weight	4.6kg			
Gross Weight	6.8kg			
Package size	1316*314*118mm (1pcs)			
20GP	600pcs			
40GP	1300pcs			

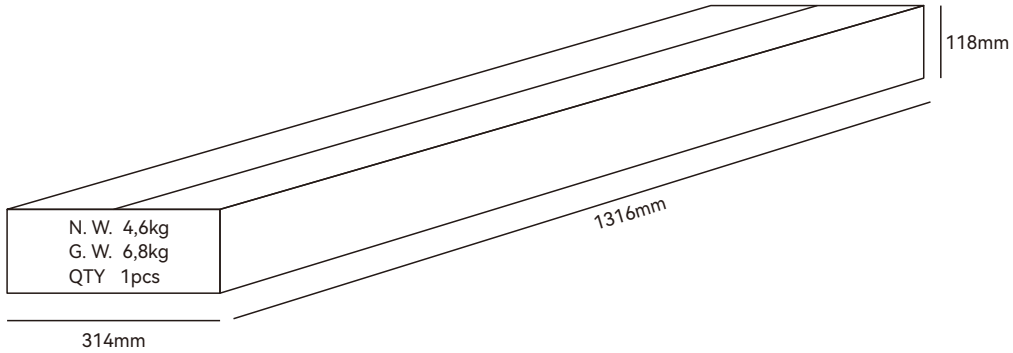
Technical data



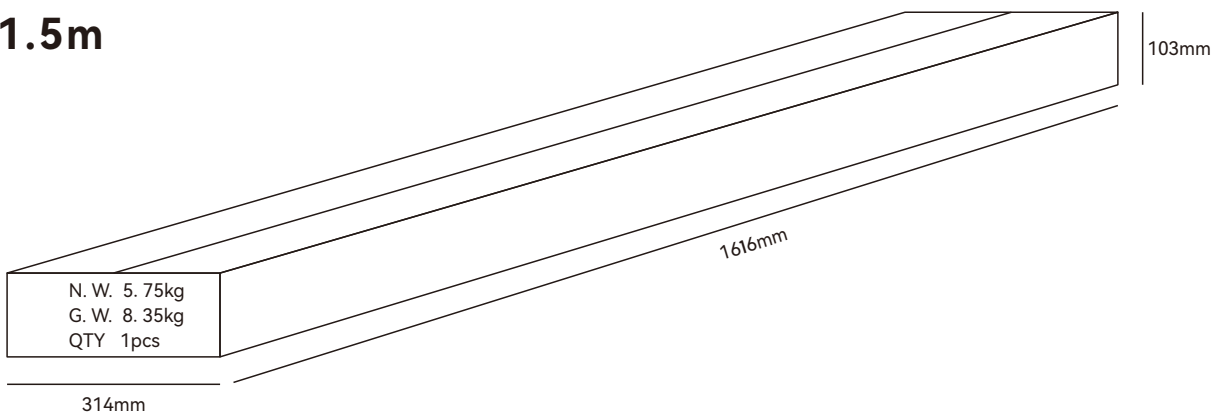
Item No.	BMPP-1507028-NN	BMPP-1507028-DN
Input Power(±10%)	70W (↑42W/28W ↓)	
Input Voltage	AC200~240V	
Power Factor	≥0.9	
Luminous Flux(±10%)	11200lm (↑7600lm/3600lm ↓)	
UGR	<16	
Color Rendering Index	>80	
Life Time	L80(B10)50,000H	
Beam Angle	↑115°/80° ↓	
CCT(±200K)	3000/4000/6000K	
Colour consistency SDCM	<3	
Dimming	On/off	DALI dimming
Sensor	NO	
Housing Color	Silver / White / Black	
Fixture Materia	6063AL	
Protection Level	IP20	
Storage Temperature	-40°C~+80°C	
Working Temperature	-20°C~+45°C	
Net Weight	5.75kg	
Gross Weight	8.35kg	
Package size	1616*314*118mm (1pcs)	
20GP	575pcs	
40GP	1219pcs	

Packaging

1.2m



1.5m



Shenzhen Nexol Lighting Technology Co.,Ltd.

E-mail: info@nexol-lighting.com

www.nexol-lighting.com

Factory: Floor 6-9, Building 3, Tonghu Intelligent Industrial Park, Zhongkai High-Tech District, HuiZhou 516035

Office: Room 306&309, Floor 3, Building E, Longhua Digital Industrial Park, Guanlan Road 54-6, Longhua district, Shenzhen, China 518110



All values in specification are typical value from laboratory measurement, for concrete data, please refer to shipment testing report. Information provided is subject to change without notice. Please verify all details with NEXOL Lighting.

Copyright Shenzhen Nexol Lighting Co., Ltd.. All rights reserved.