

MAYE-TR 2.0 Desk fixed luminaires



Modern and simple design style, coupled with exquisite materials and perfect assembly details, the product appearance looks rich in texture. The direct light adopts a diffusion plate with microprism structure to realize anti-glare function, and 80 degrees (direct), 115 degrees (indirect). This product is DIY assembled, no need professionals, portable on one side of the desktop, easy to install, flexible for using. Typical light efficiency is 150LM/W, flicker free. More importantly, it enable to be supported for Intelligent motion sensor, intelligent constant illumination daylight sensor and wireless control systems such as CASAMBI. The main materials are aluminum profiles, steel plates and PMMA.

Features

Simple, delicate appearance, patent design with rich texture

High lumen efficiency reach to 150LM/W, fitting with a 2500lm direct and 12500lm indirect lights, total 15000lm lumen output

UGR < 18, lighting uniform and healthy

SDCM < 3

Support for smart control functions

- Touch panel dimming
- Motion sensor
- Day light sensor (optional)
- CASAMBI (Customizable)
- HCL (Customizable)

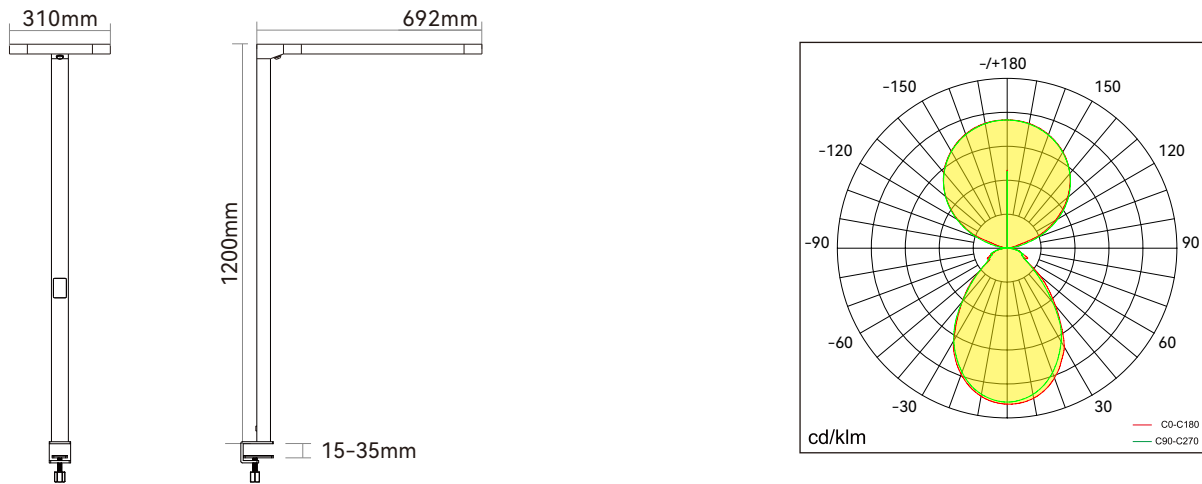
5 years warranty

Application Areas

Open-plan office, individual office, etc.

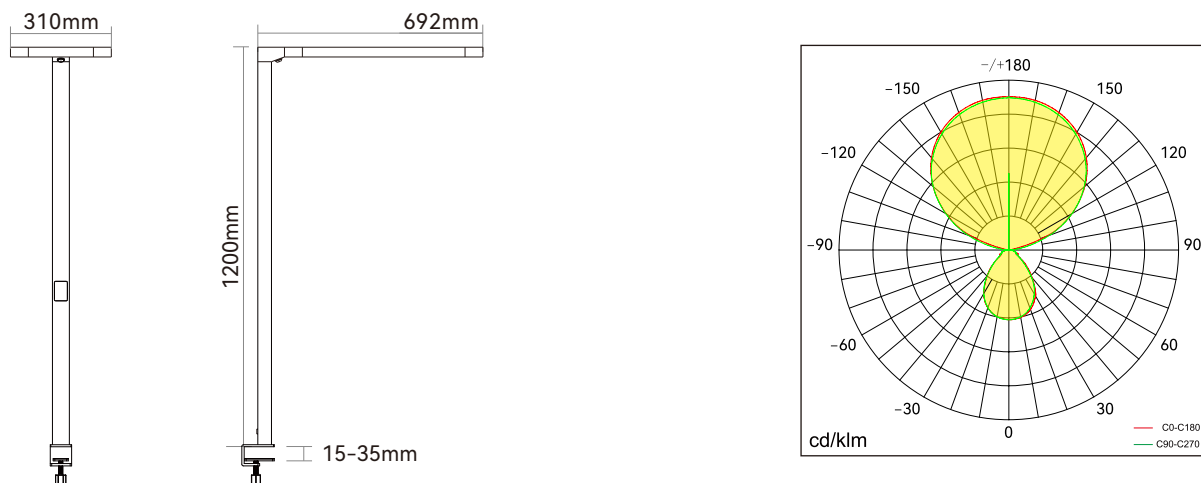


Technical data



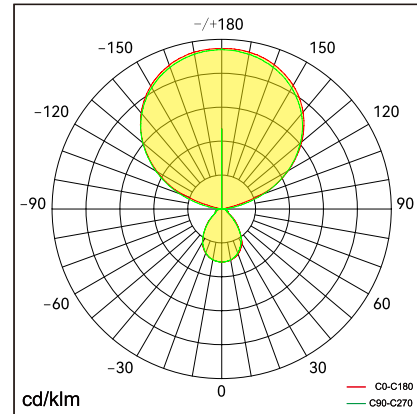
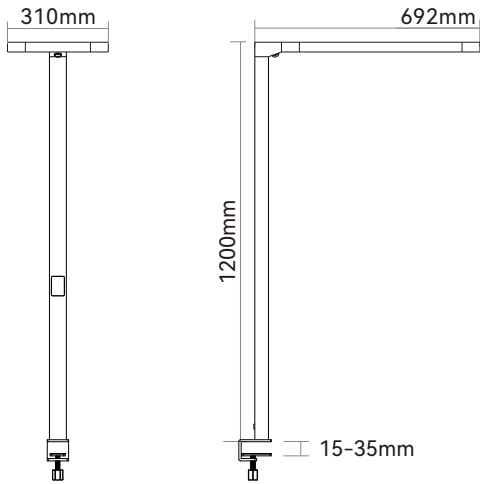
Item No.	BMRT-1208040-BN-01	BMRT-1208040-BM-01	BMRT-1208040-BD-01
Input Power(±10%)	↑ 40W/40W ↓		
Input Voltage	AC200~240V		
Power Factor	≥0.9		
Luminous Flux(±10%)	↑ 6400lm/4800lm ↓		
UGR	< 18		
Color Rendering Index	>80		
Life Time	L80(B10)50,000H		
Beam Angle	↑ 115°/80° ↓		
CCT(±200K)	3000/4000/6000K		
Colour consistency SDCM	< 3		
Dimming	Touch panel dimming (Synchronous Dimming)		
Sensor	NO	Motion sensor	Daylight sensor Motion sensor
Housing Color	Silver/White/Black		
Fixture Materia	6063AL		
Protection Level	IP20		
Storage Temperature	-40°C~+80°C		
Working Temperature	-20°C~+45°C		

Technical data



Item No.	BMRT-1208022-BN	BMRT-1208022-BM	BMRT-1208022-BD	BMRT-1208022-CD
Input Power(±10%)	↑ 58W/22W ↓			
Input Voltage	AC200~240V			
Power Factor	≥0.9			
Luminous Flux(±10%)	↑ 8926lm/2590lm ↓			↑ 8200lm/2200lm ↓
UGR	< 14			
Color Rendering Index	>80			
Life Time	L80(B10)50,000H			
Beam Angle	↑ 115°/80° ↓			
CCT(±200K)	3000/4000/6000K			3000~5700K
Colour consistency SDCM	< 3			
Dimming	Touch panel dimming(Individual Dimming)			
Sensor	NO	Motion sensor	Daylight sensor Motion sensor	Daylight sensor Motion sensor
Housing Color	Silver/White/Black			
Fixture Materia	6063AL			
Protection Level	IP20			
Storage Temperature	-40°C~+80°C			
Working Temperature	-20°C~+45°C			

Technical data



Item No.	BMRT-1210020-BN	BMRT-1210020-BM	BMRT-1210020-BD	BMRT-1210020-CD
Input Power(±10%)	↑ 80W/20W ↓			
Input Voltage	AC200~240V			
Power Factor	≥0.9			
Luminous Flux(±10%)	↑ 12500lm/2500lm ↓			↑ 11050lm/2500lm ↓
UGR	< 13			
Color Rendering Index	>80			
Life Time	L80(B10)50,000H			
Beam Angle	↑ 115°/80° ↓			
CCT(±200K)	3000/4000/6000K			3000~5700K
Colour consistency SDCM	< 3			
Dimming	Touch panel dimming(Individual Dimming)			
Sensor	NO	Motion sensor	Daylight sensor Motion sensor	Daylight sensor Motion sensor
Housing Color	Silver/White/Black			
Fixture Materia	6063AL			
Protection Level	IP20			
Storage Temperature	-40°C~+80°C			
Working Temperature	-20°C~+45°C			

Shenzhen Nexol Lighting Technology Co.,Ltd.

E-mail: info@nexol-lighting.com

www.nexol-lighting.com

Factory: Floor 6-9,Building 3,Tonghu Intelligent Industrial Park, Zhongkai High-Tech District, HuiZhou 516035

Office: Room 306&309, Floor 3, Building E, Longhua Digital Industrial Park, Guanlan Road 54-6, Longhua district, Shenzhen, China 518110



All values in specification are typical value from laboratory measurement, for concrete data, please refer to shipment testing report.

Information provided is subject to change without notice. Please verify all details with NEXOL Lighting.

Copyright Shenzhen Nexol Lighting Co., Ltd.. All rights reserved.