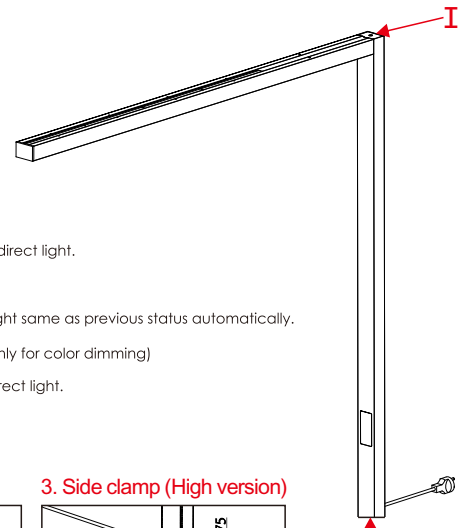


Installation instruction



- Shot press to turn on/off the indirect light. Long press to dimming.
- On-Off Switch:
 - ON: Turn on and will keep light same as previous status automatically.
 - OFF: Turn off the light.
 Long press for CCT change (only for color dimming)
- Shot press to turn on/off the direct light. Long press to dimming.

non color dimming color dimming

①		①	x 1PCS
②		②	x 3PCS
③		③	x 3PCS

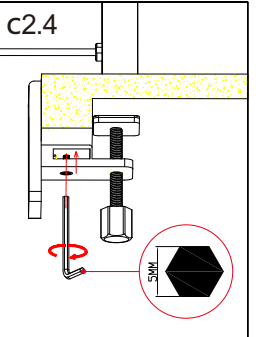
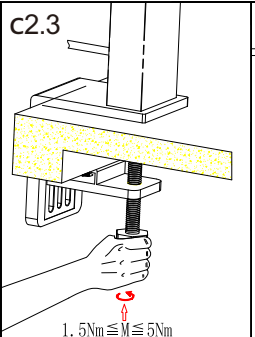
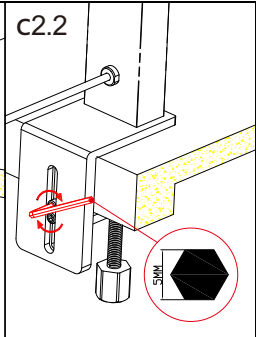
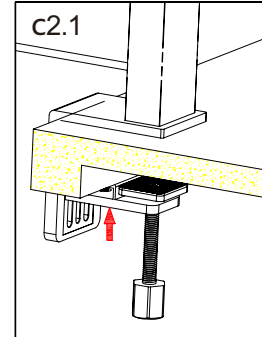
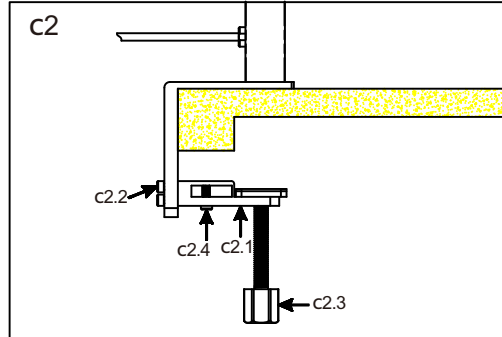
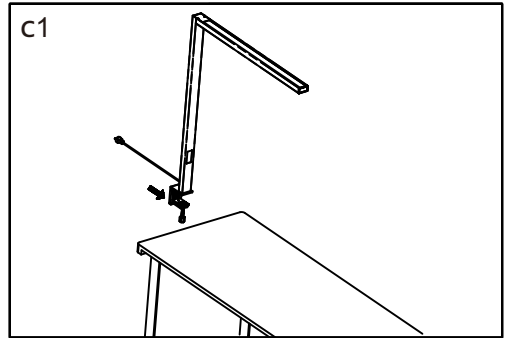
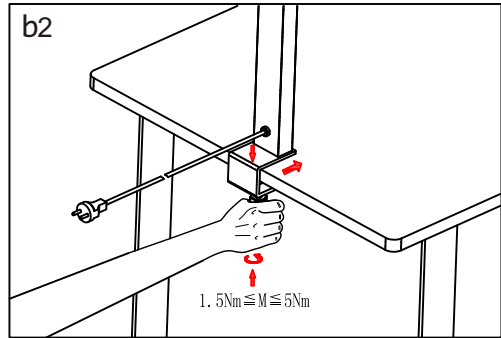
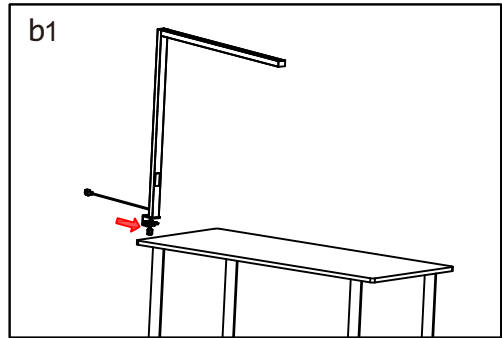
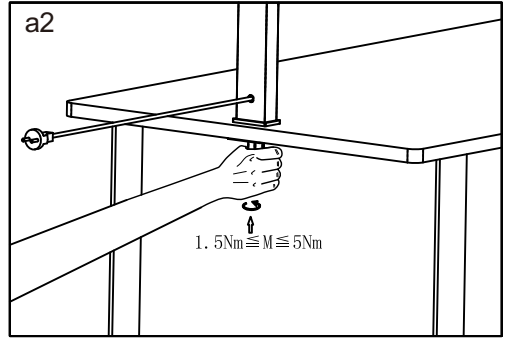
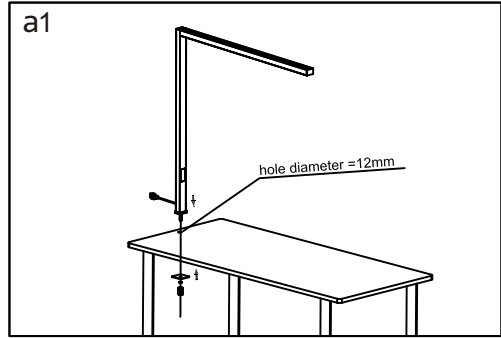
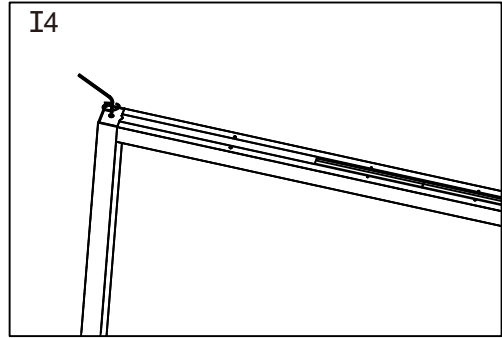
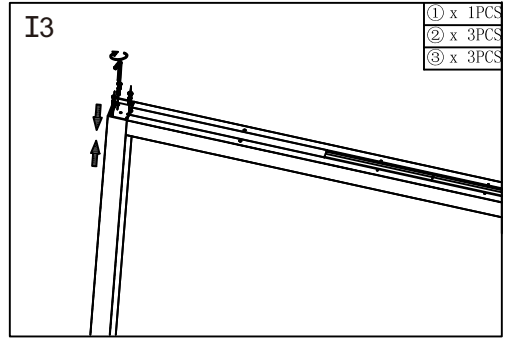
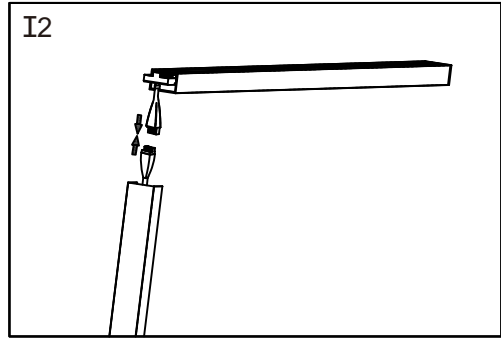
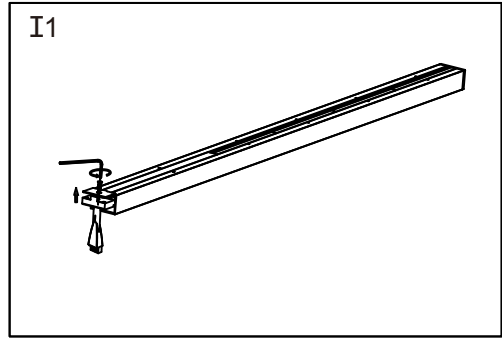
1. Direct clamp

2. Side clamp

3. Side clamp (High version)

Clip

- 1 (a)
- 2 (b)
- 3 (c)



Manual



non color dimming



color dimming

Shot press to turn on/off the indirect light.
Long press to dimming.

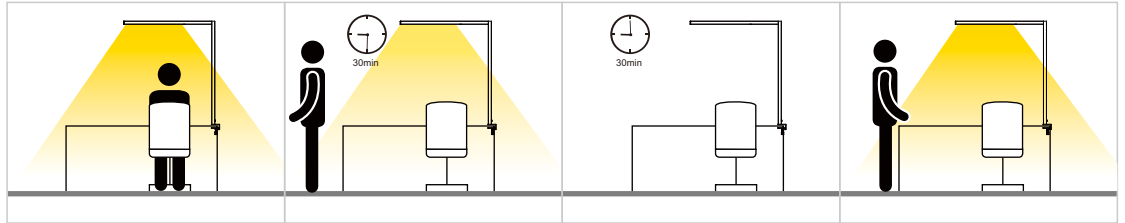
On-Off Switch:

1. ON: Turn on and will keep light same as previous status automatically.
2. OFF: Turn off the light.
Long press for CCT change (only for color dimming)

Shot press to turn on/off the direct light.
Long press to dimming.



A. Motion Sensor



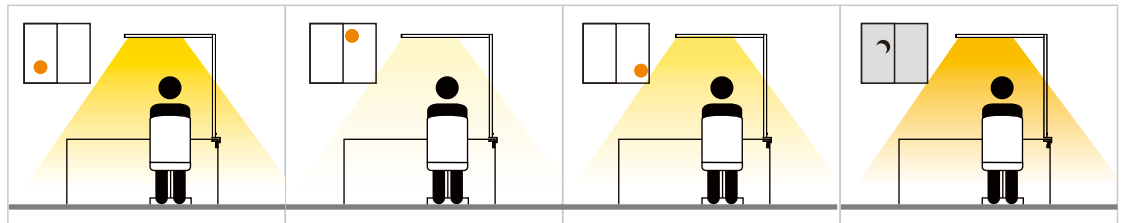
1. turn on the lamp

2. The lamp brightness reduce to 30% when there is no presence in 30min

3. After another 30min, the lamp switches off automatically when still no presence detected

4. The lamp will switches on automatically at once when there is presence detected.

B. Daylight Sensor



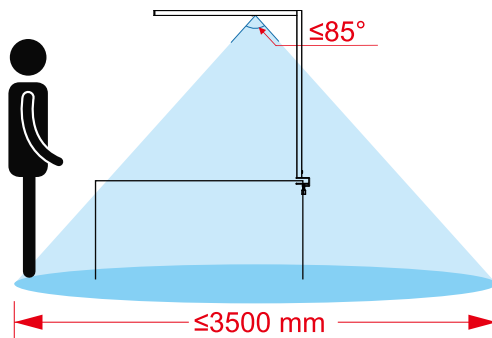
1. Turn on the light and dimming to a comfortable brightness, the daylight sensor will memory this lux value which performance on desk as a standard lux.

2. When ambient brightness increase (reduce), light will adjust to reduce (increase) its brightness, and guarantee the lux on desk are same to that standard lux, or at least close to that standard lux, it may have around 10% tolerance.

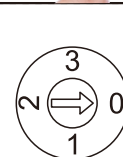
3. When every time dimming again on light brightness, daylight sensor will memory this new lux value which performance on desk as a new standard lux.

Attention: The lux value which the light performance on desk will be effected if there is any change on desk within the area of 20° angle under the daylight sensor.

Detectable area



Here to tell you how to play Motion Sensor & Daylight Sensor



Dip switches	information	Motion sensor	Daylight sensor
0		OFF	OFF
1		ON	OFF
2		ON	ON
3		OFF	ON

Adjust the dip switch to the module by screwdriver.

Clip