

# POLA Free standing luminaire



Modern and simple design style, coupled with exquisite materials and perfect assembly details, the product appearance looks rich in texture. The direct light adopts a diffusion plate with microprism structure to realize anti-glare function, and 80 degrees (direct), 115 degrees (indirect). This product is DIY assembled, no need professionals, portable on one side of the desktop, easy to install, flexible for using. Typical light efficiency is 148LM/W, flicker free. More importantly, it enable to be supported for Intelligent motion sensor, intelligent constant illumination daylight sensor and wireless control systems such as CASAMBI. The main materials are aluminum profiles, steel plates and PMMA.

## Features

High lumen efficiency reach to 148LM/W, fitting with a 2000lm direct and 12800lm indirect lights, total 14800lm lumen output

UGR<13, lighting uniform and healthy

SDCM < 3

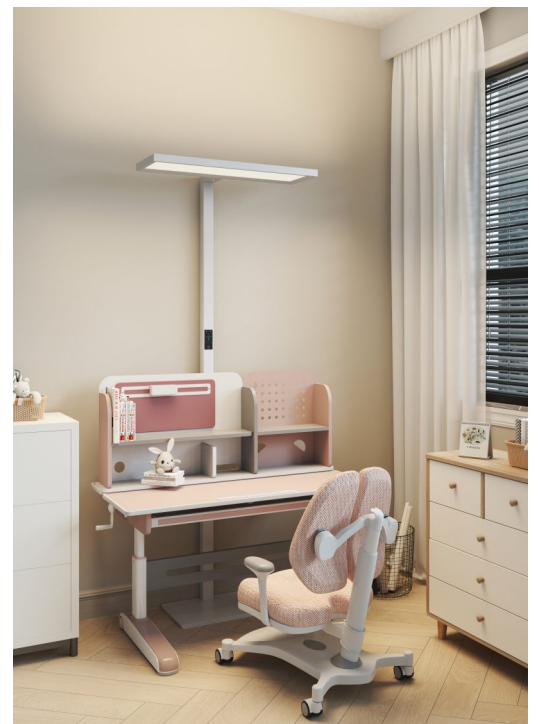
Support for smart control functions

- Touch panel dimming
- Motion Sensor
- Daylight sensor
- HCL (Customizable)
- CASAMBI (Customizable)
- SWARM (Customizable)

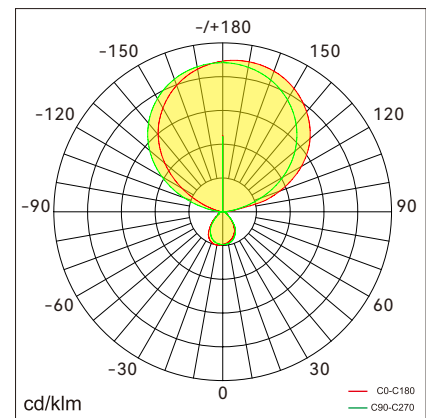
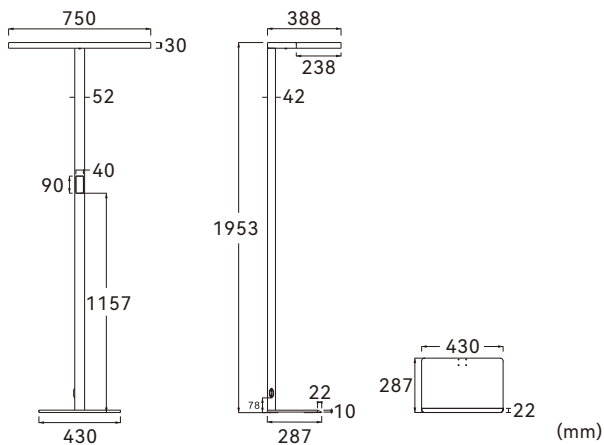
5 years warranty

## Application Areas

Open-plan office, individual office, etc.



## Technical data



Item No.	BPOF-1908024-BN-01	BPOF-1908024-BD-01	BPOF-1908024-CN-01	BPOF-1908024-CD-01
Input Power(±10%)	80W (↑56W/24W↓)			
Input Voltage	AC200~240V			
Power Factor	≥0.9			
Luminous Flux(±10%)	11600lm (↑9200lm/2400lm↓)		10000lm (↑7600lm/2400lm↓)	
UGR	<13			
Color Rendering Index	>80			
Life Time	L80(B10)50,000H			
Beam Angle	↑115°/80°↓			
CCT(±200K)	3000/4000/6000K		3000~5700K	
Colour consistency SDCM	<3			
Dimming	Touch panel dimming			
Sensor	NO	Daylight sensor Motion sensor	NO	Daylight sensor Motion sensor
Housing Color	Silver / White / Black			
Fixture Materia	6063AL			
Protection Level	IP20			
Storage Temperature	-40°C~+80°C			
Working Temperature	-20°C~+40°C			
Net Weight	3.3kg (Pole) / 12.1kg (head&base)			
Gross Weight	4.4kg (Pole) / 13.9kg (head&base)			
Package size (1pcs)	2045*115*110mm (Pole) / 845*472*135mm (head&base)			
20GP	182pcs			
40GP	377pcs			

## Technical data

Item No.	BPOF-1910020-BN-01	BPOF-1910020-BD-01	BPOF-1910020-CN-01	BPOF-1910020-CD-01
Input Power(±10%)	100W (↑ 80W/20W ↓)			
Input Voltage	AC200~240V			
Power Factor	≥0.9			
Luminous Flux(±10%)	14800lm (↑ 12800lm/2000lm ↓)		12400lm (↑ 10400lm/2000lm ↓)	
UGR	<13			
Color Rendering Index	>80			
Life Time	L80(B10)50,000H			
Beam Angle	↑ 115°/80° ↓			
CCT(±200K)	3000/4000/6000K		3000~5700K	
Colour consistency SDCM	<3			
Dimming	Touch panel dimming			
Sensor	NO	Daylight sensor Motion sensor	NO	Daylight sensor Motion sensor
Housing Color	Silver / White / Black			
Fixture Materia	6063AL			
Protection Level	IP20			
Storage Temperature	-40°C~+80°C			
Working Temperature	-20°C~+40°C			
Net Weight	3.3kg (Pole) / 12.1kg (head&base)			
Gross Weight	4.4kg (Pole) / 13.9kg (head&base)			
Package size (1pcs)	2045*115*110mm (Pole) / 845*472*135mm (head&base)			
20GP	182pcs			
40GP	377pcs			



Shenzhen Nexol Lighting Technology Co.,Ltd.

E-mail: [info@nexol-lighting.com](mailto:info@nexol-lighting.com)

[www.nexol-lighting.com](http://www.nexol-lighting.com)

Factory: Floor 6-9, Building 3, Tonghu Intelligent Industrial Park, Zhongkai High-Tech District, HuiZhou 516035

Office: Room 306&309, Floor 3, Building E, Longhua Digital Industrial Park, Guanlan Road 54-6, Longhua district, Shenzhen, China 518110

All values in specification are typical value from laboratory measurement, for concrete data, please refer to shipment testing report.

Information provided is subject to change without notice. Please verify all details with NEXOL Lighting.

Copyright Shenzhen Nexol Lighting Co., Ltd.. All rights reserved.