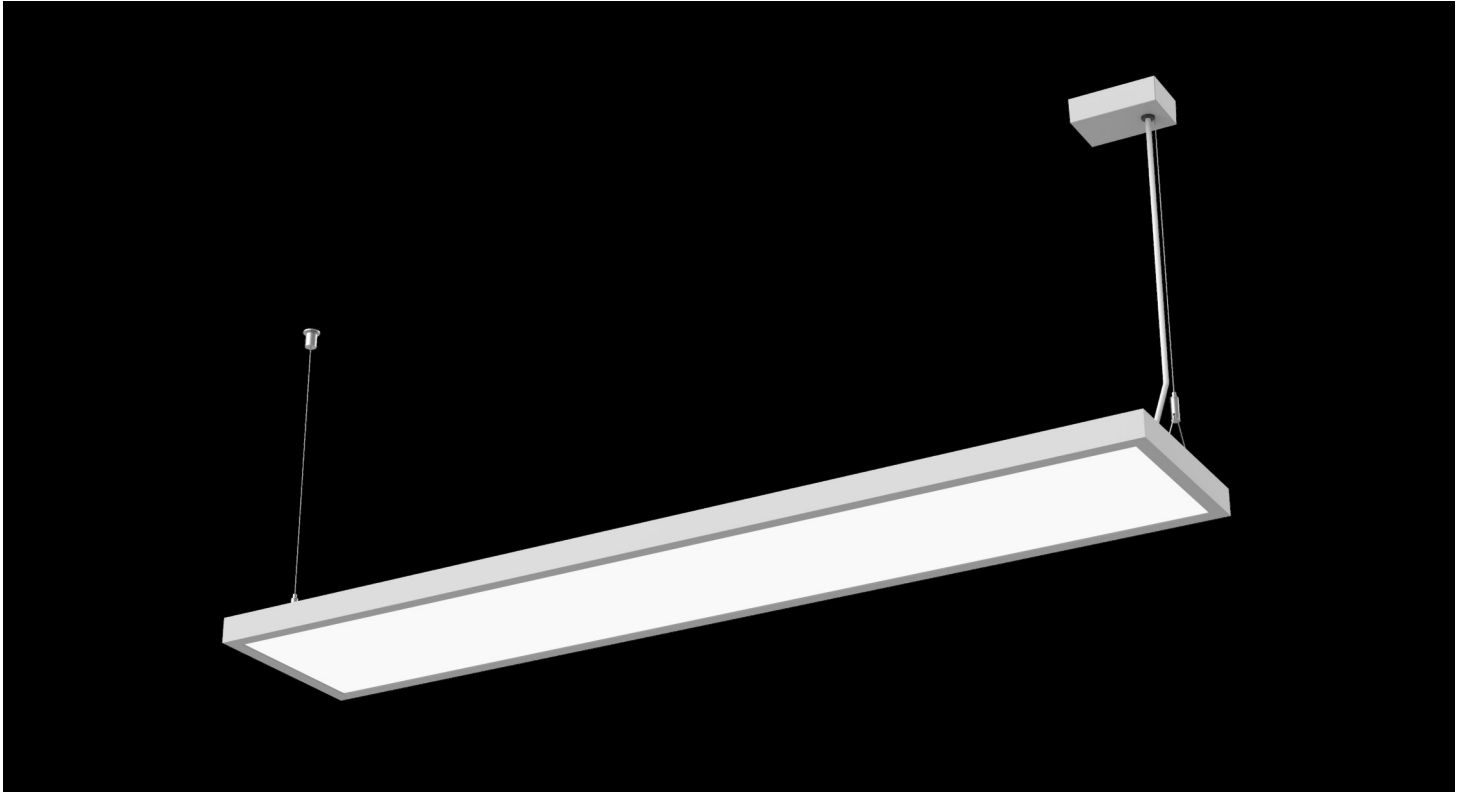


FREE-P 2.0 pendant luminaires



The FREE-P 2.0 come with minimalist design, excellent material selection and production technology, exquisite appearance, and rich texture. The direct light adopts a diffusion plate with microprism structure to realize anti-glare function. Typical light efficiency 128LM/W, flicker free. Suspended installation, very simple and convenient. The lamp supports DALI dimming and 3000K/4000K dialable. Linkable design. The main materials including aluminum profiles and PMMA.

Features

Desktop uniformity $U_0 > 0.74$

CCT switchable

Light efficiency up to 128lm/W

UGR < 15, compliant with professional lighting design requirements

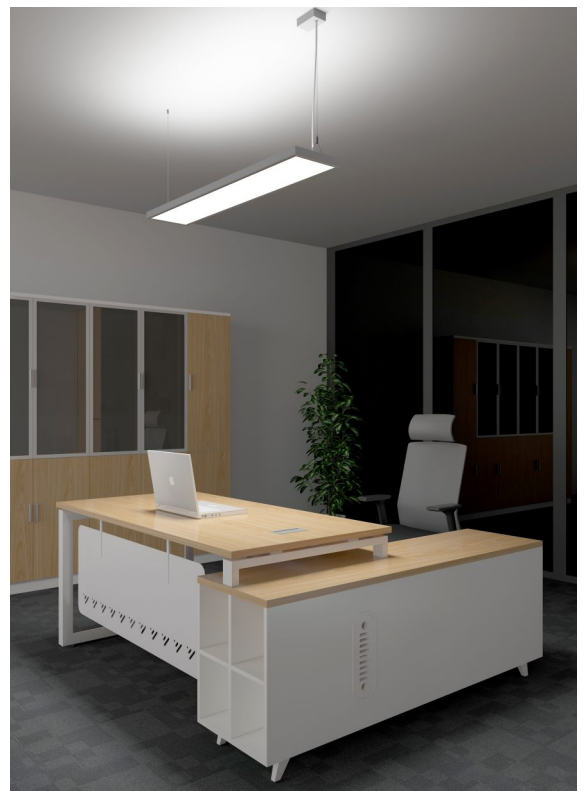
Support DALI dimming

Direct and Indirect lighting

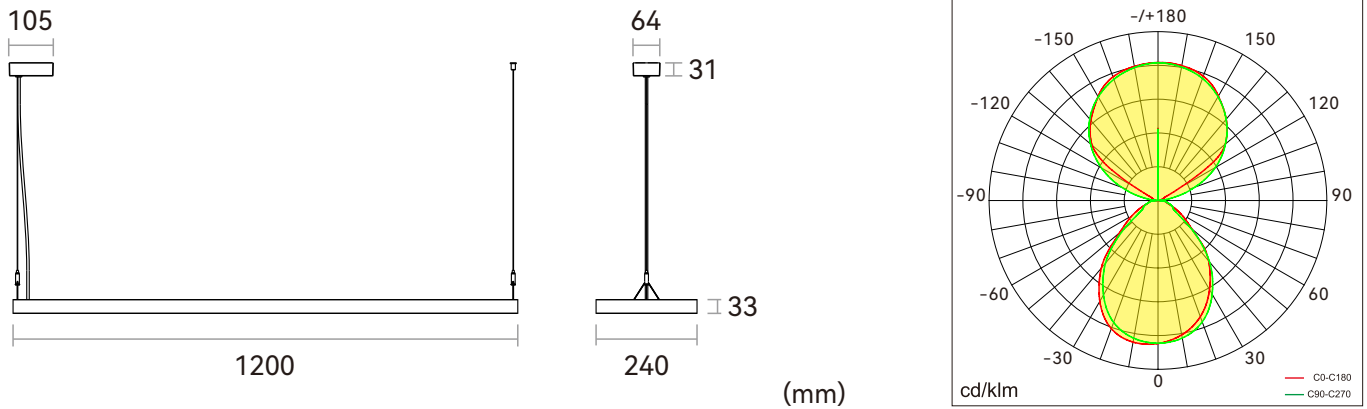
5 years warranty

Application Areas

For open-plan office, Individual office, meeting room, Guest room, etc.

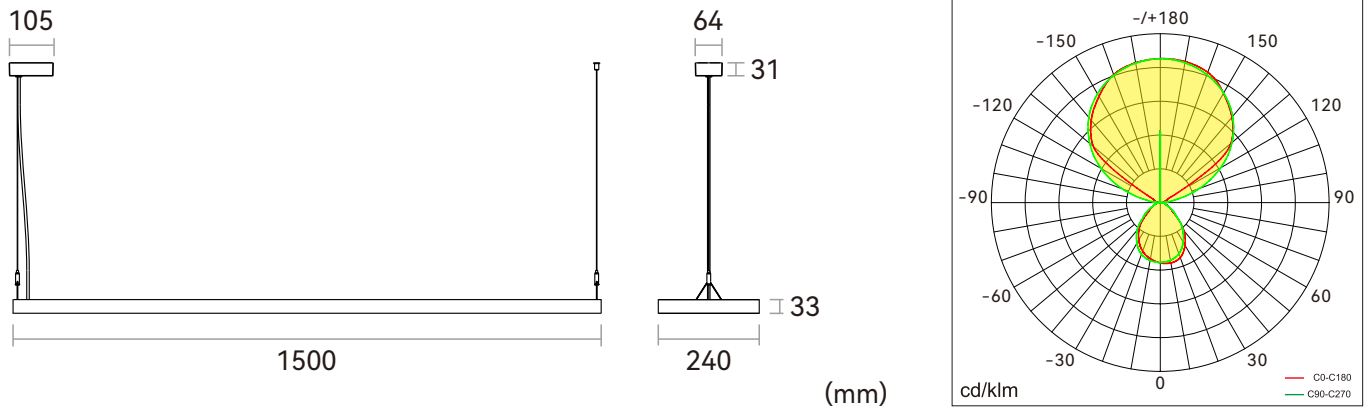


Technical data



Item No.	BFRP-1205030-NN-01	BFRP-1205030-DN-01
Input Power(±10%)	60W (↑ 24W/36W ↓)	
Input Voltage	AC200~240V	
Power Factor	≥0.9	
Luminous Flux(±10%)	7620lm (↑ 4320lm/3300lm ↓)	
UGR	<15	
Color Rendering Index	>80	
Life Time	L80(B10)50,000H	
Beam Angle	↑ 115°/80° ↓	
CCT(±200K)	3000/4000K(CCT switchable)	
Colour consistency SDCM	<3	
Dimming	No	DALI dimming
Sensor	No	
Housing Color	Silver / White / Black	
Fixture Materia	6063AL	
Protection Level	IP20	
Storage Temperature	-40°C~+60°C	
Working Temperature	-20°C~+40°C	
Net Weight	4.8kg (1pcs)	
Gross Weight	27.3kg (4pcs)	
Package size	1335*468*337mm (4pcs)	
20GP	588pcs	
40GP	1200pcs	
40HQ	1250pcs	

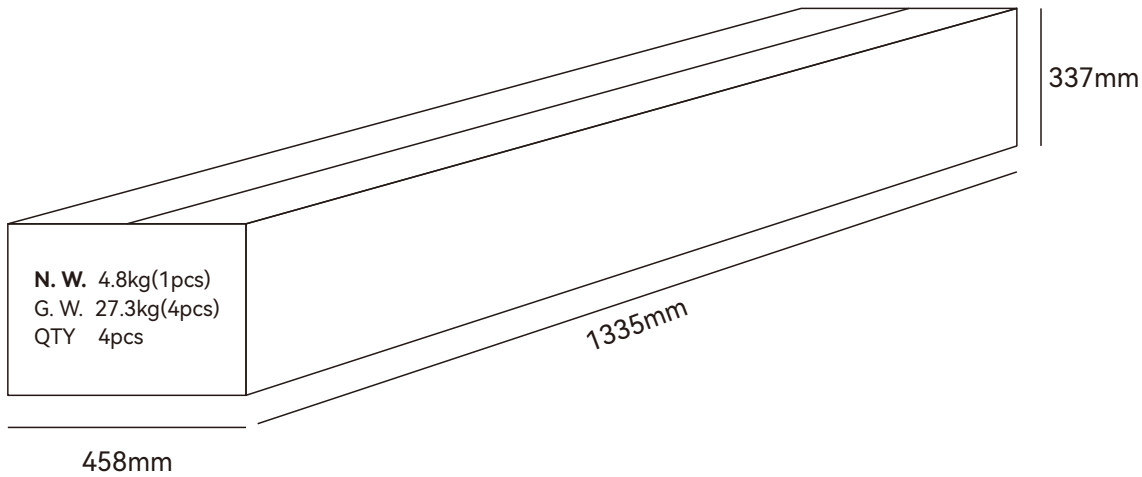
Technical data



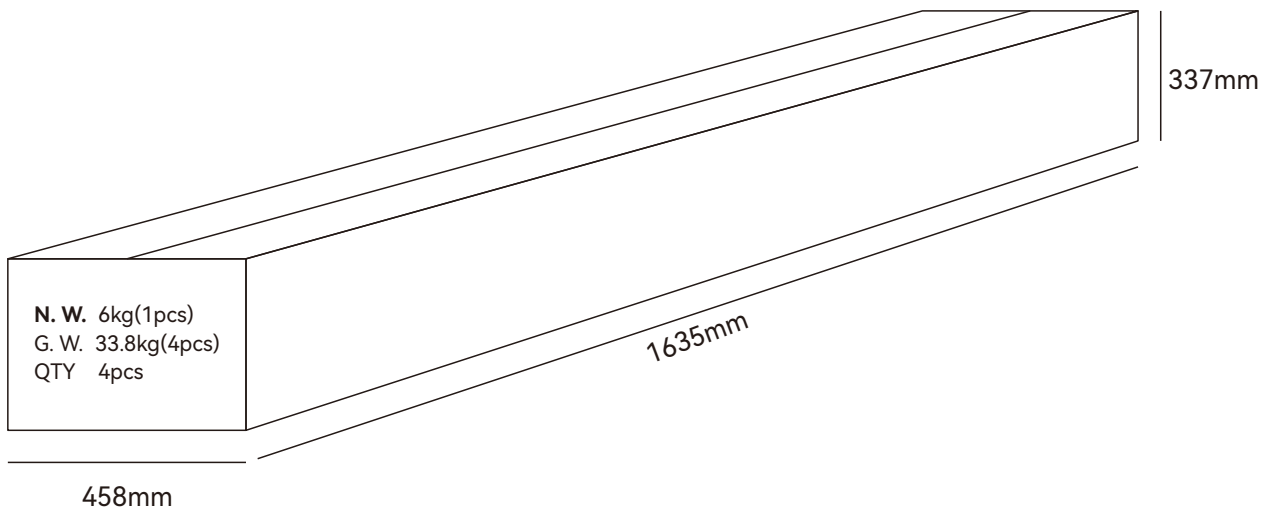
Item No.	BFRP-1506036-NN-01	BFRP-1506036-DN-01
Input Power(±10%)	60W (↑ 24W/36W ↓)	
Input Voltage	AC200~240V	
Power Factor	≥0.9	
Luminous Flux(±10%)	7680lm (↑ 5800lm/1880lm ↓)	
UGR	<15	
Color Rendering Index	>80	
Life Time	L80(B10)50,000H	
Beam Angle	↑ 115°/80° ↓	
CCT(±200K)	3000/4000K(CCT switchable)	
Colour consistency SDCM	<3	
Dimming	No	DALI dimming
Sensor	No	
Housing Color	Silver / White / Black	
Fixture Materia	6063AL	
Protection Level	IP20	
Storage Temperature	-40°C~+60°C	
Working Temperature	-20°C~+40°C	
Net Weight	6kg (1pcs)	
Gross Weight	33.8kg (4pcs)	
Package size	1635*468*337mm (4pcs)	
20GP	476pcs	
40GP	1000pcs	
40HQ	1008pcs	

Packaging

FREE-P 2.0 1.2m



FREE-P 2.0 1.5m



Shenzhen Nexol Lighting Technology Co.,Ltd.

E-mail: info@nexol-lighting.com

www.nexol-lighting.com

Factory: Floor 6-9, Building 3, Tonghu Intelligent Industrial Park, Zhongkai High-Tech District, HuiZhou 516035

Office: Room 306&309, Floor 3, Building E, Longhua Digital Industrial Park, Guanlan Road 54-6, Longhua district, Shenzhen, China 518110



All values in specification are typical value from laboratory measurement, for concrete data, please refer to shipment testing report.

Information provided is subject to change without notice. Please verify all details with NEXOL Lighting.

Copyright Shenzhen Nexol Lighting Co., Ltd.. All rights reserved.