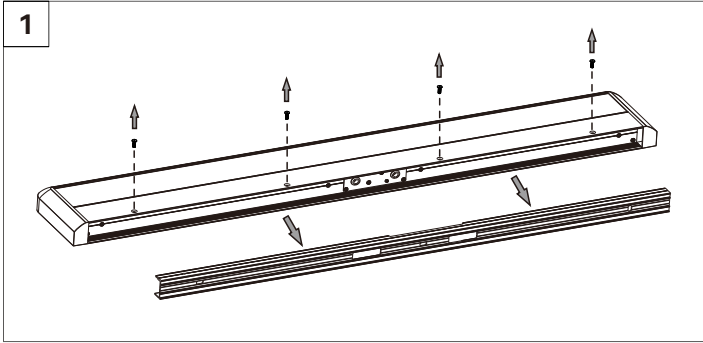
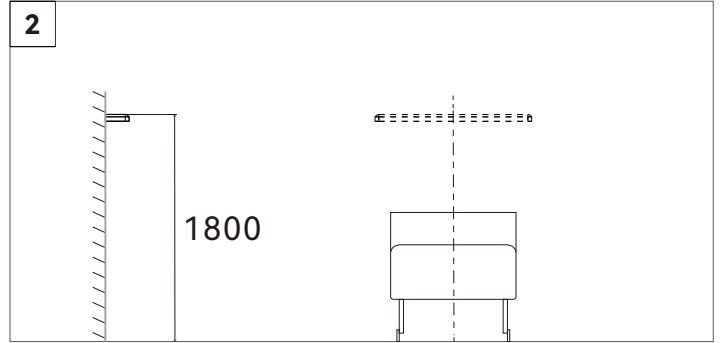


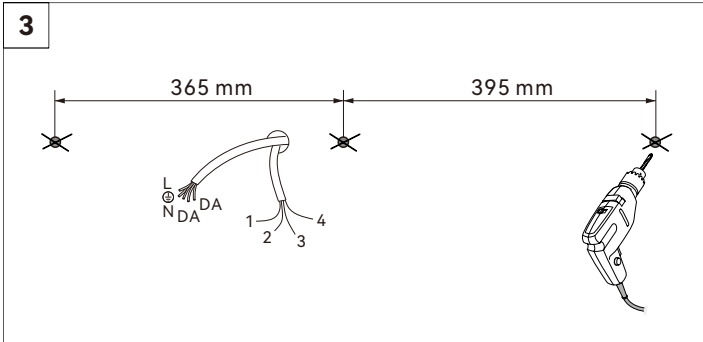
# Installation instruction



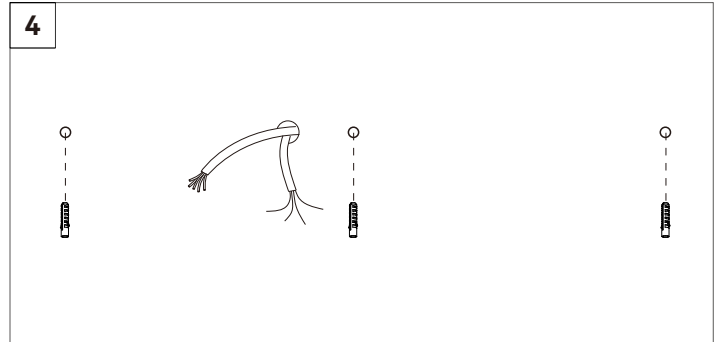
1  
Unscrew the screws and take out the aluminum profile mounting bracket.



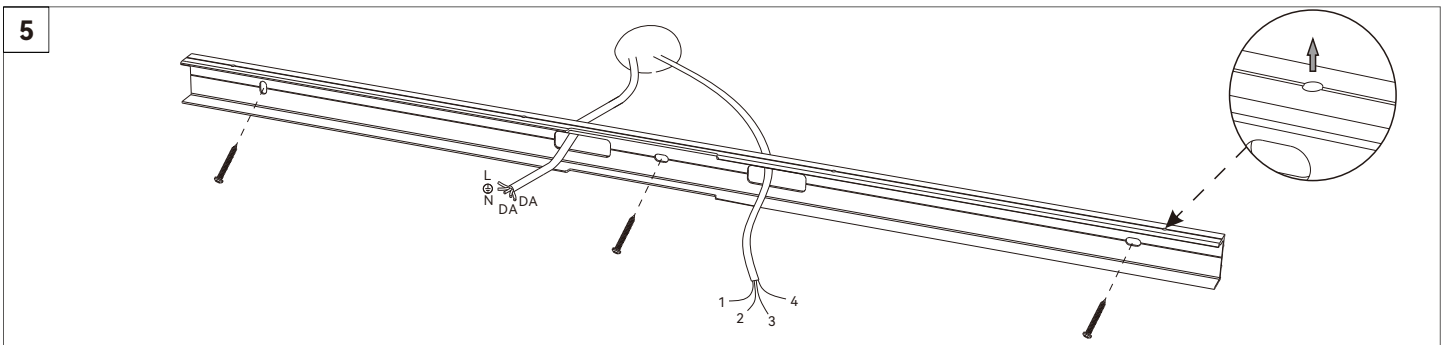
2  
Keep the mounting height centered with the bed.



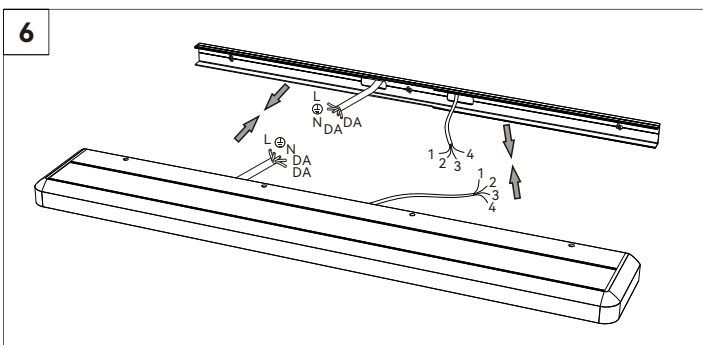
3  
Align the mounting holes and wire outlet position.



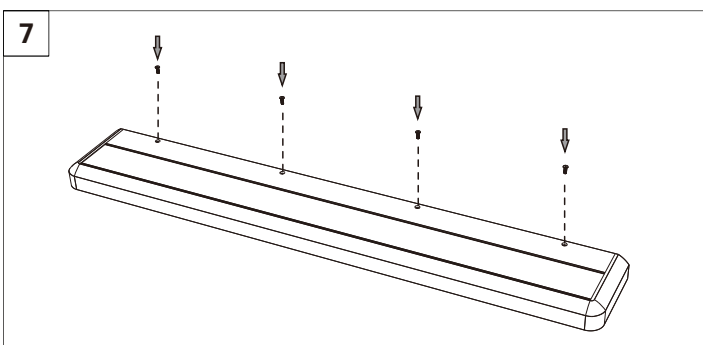
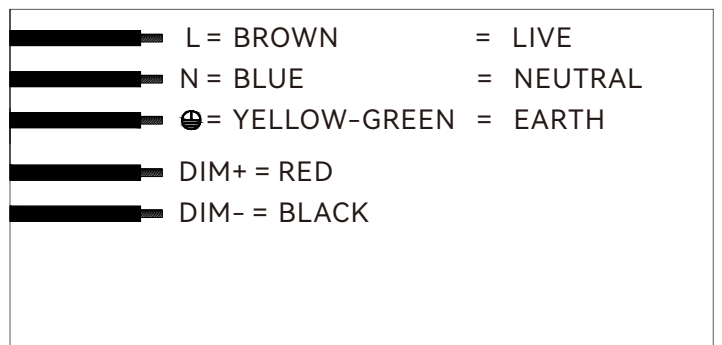
4  
Insert expansion wall plugs.



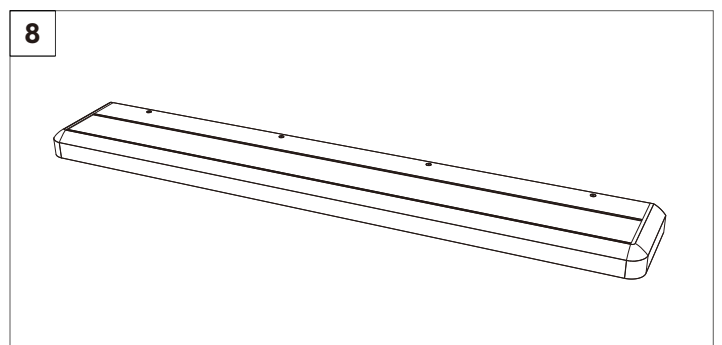
5  
Fix the aluminum profile mounting bracket; ensure the side with screw holes faces upward.



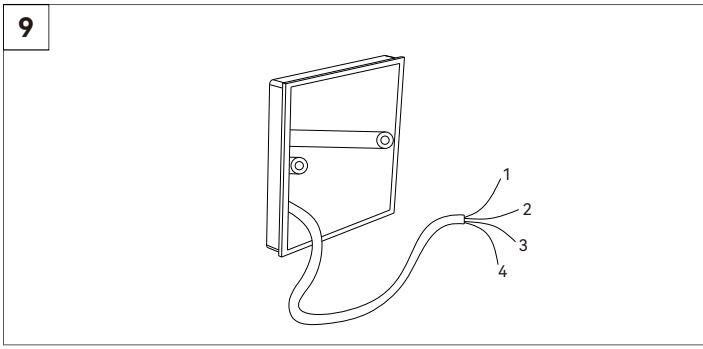
6  
Wire connection with terminal blocks.



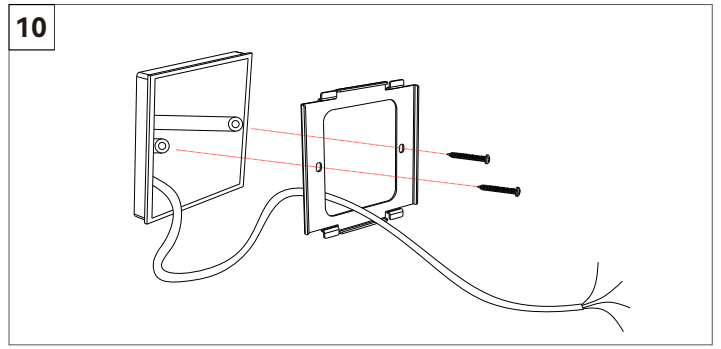
7  
Fasten with screws.



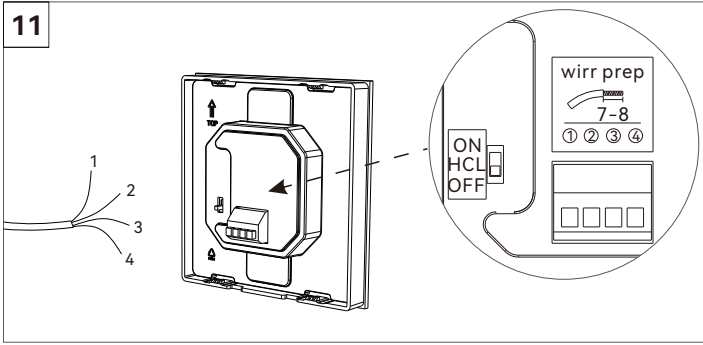
8  
Light fixture installation completed.



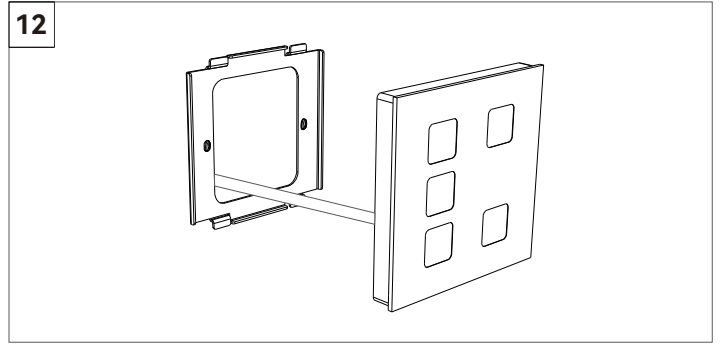
9 Embed an 86-type junction box in the wall and reserve wire outlet.



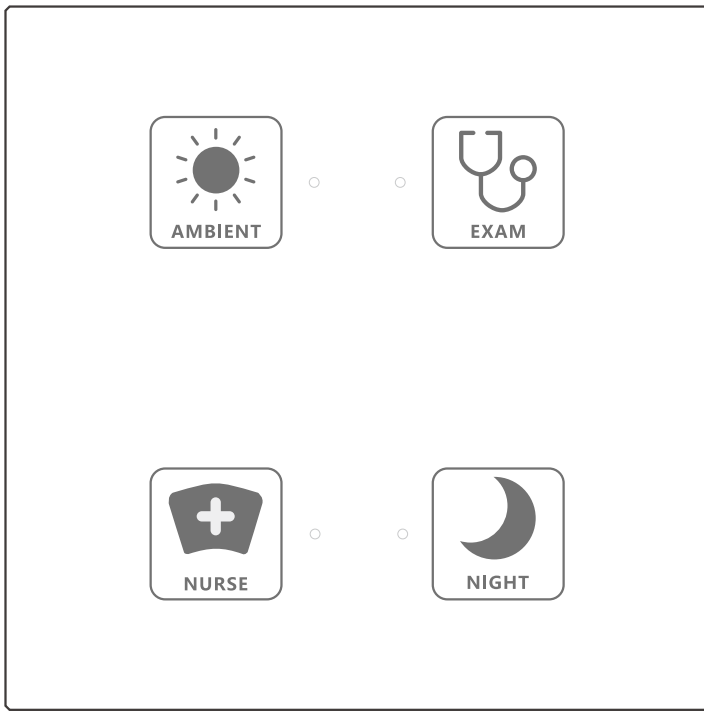
10 Fix the sheet metal mounting bracket.



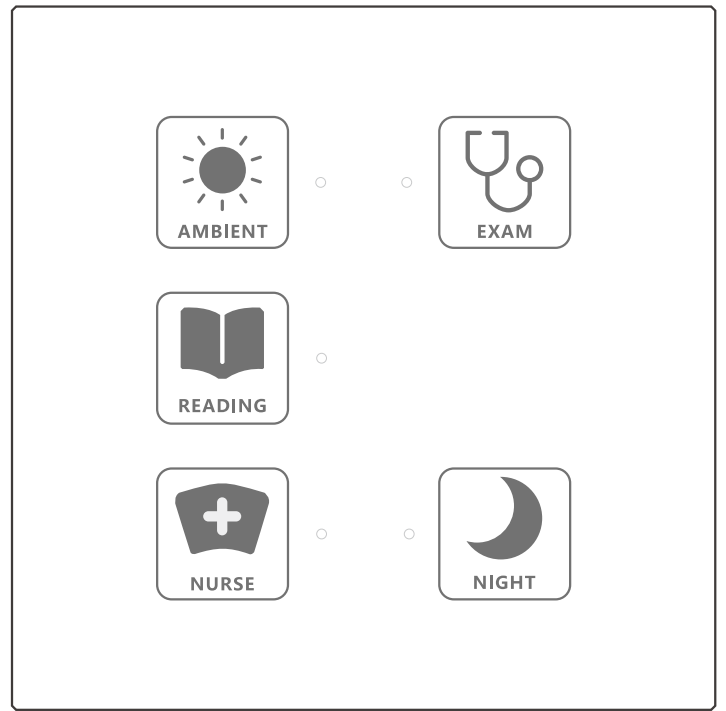
11 Wire the touch panel according to the number markings.



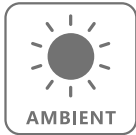
12 Clip the touch panel into the sheet metal mounting bracket.



Touch Panel (Basic Version)



Touch Panel (PRO Version)



#### Ambient Light Switch

- 1.Short press to turn the ambient light ON/OFF.
- 2.Long press to adjust brightness (5 seconds from dimmest to brightest; the dimmest level is 10% brightness. If the first long press brightens the light, releasing and long pressing again will dim it).
- 3.When controlling the ambient light via the touch panel, its color temperature is fixed at 3000K.

Note:When the light is connected to the background DALI central control system, only Function 1 is valid — only short press ON/OFF is available, and the light turns on according to the state preset in the background system.

When the light operates standalone without connecting to the DALI central control system, all Functions 1, 2 and 3 are valid.

The two control modes of the ambient light key can be switched via the DIP switch on the back of the panel.



#### Inspection Mode Switch

- 1.Short press to activate Inspection Mode (ambient light and inspection light turn on at full brightness, with color temperature fixed at 3000K).
- 2.All other lights are turned off.
- 3.Short press again to exit Inspection Mode; all lights restore to their previous state before mode activation.



#### Reading Light Switch

- 1.Short press to turn the reading light ON/OFF.
- 2.Long press to adjust brightness (5 seconds from dimmest to brightest; the dimmest level is 10% brightness. If the first long press brightens the light, releasing and long pressing again will dim it).



#### Nursing Light Switch

- 1.Short press to turn the nursing light ON/OFF; brightness is non-adjustable.



#### Night Light Mode Switch

- 1.Short press to activate Night Light Mode.
- 2.All other lights turn off simultaneously (other lights can still be turned on normally under Night Light Mode).
- 3.Short press again to deactivate Night Light Mode and turn off the night light.