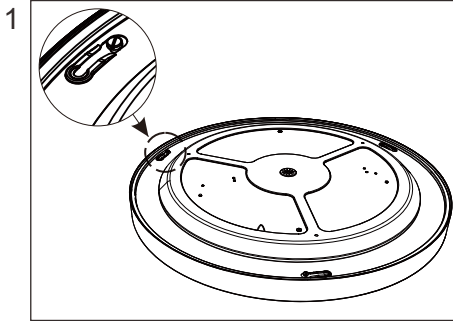
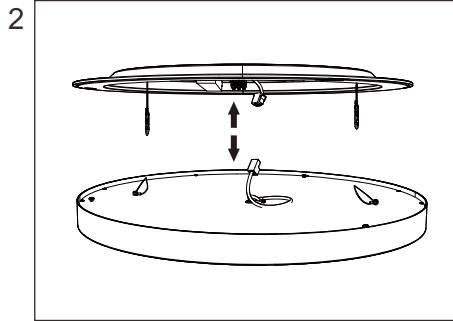


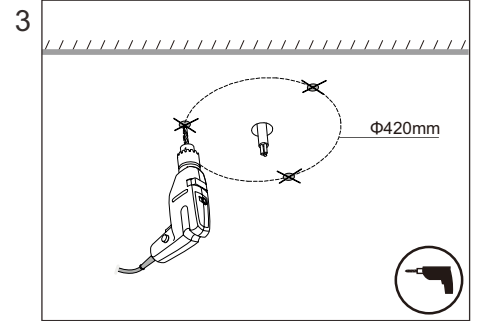
Ceiling Lights Installation instructions



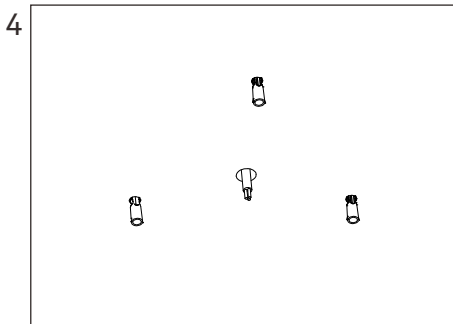
1 Rotate the ceiling box counterclockwise and remove it from the lamp body



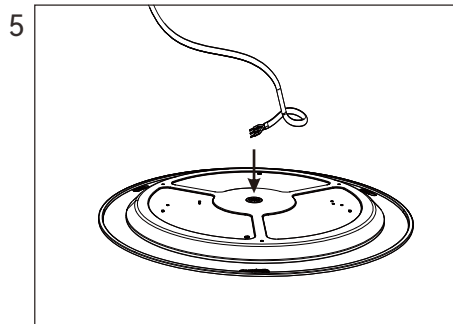
2 Separate the terminals



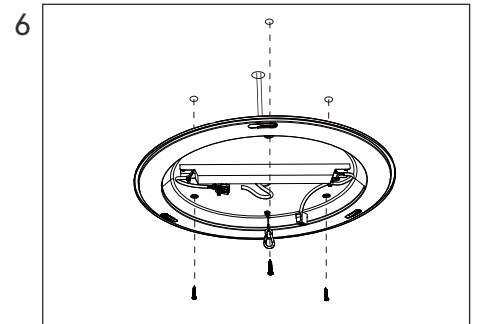
3 Drill three matching holes evenly in a 420mm diameter circle on the ceiling according to the size of the expansion screw plugs used.



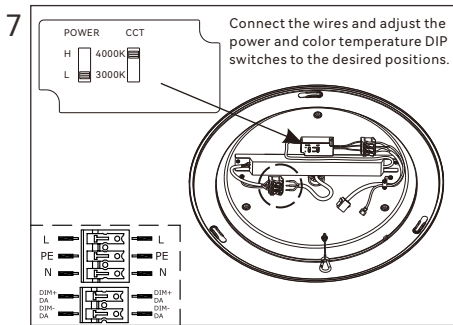
4 Install the expansion screw rubber plug (Gecko)



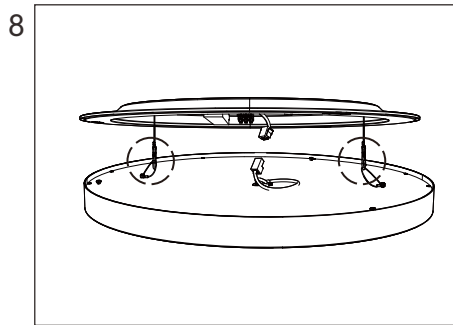
5 Thread the wires through the hole in the middle of the ceiling box.



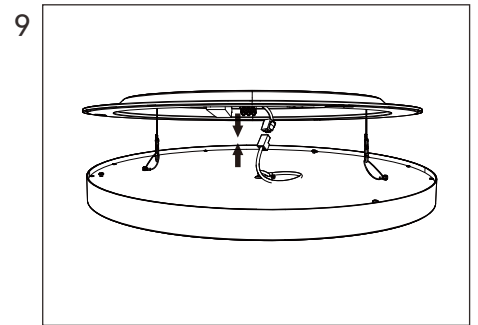
6 Secure the ceiling box to the ceiling with 4mm diameter screws.



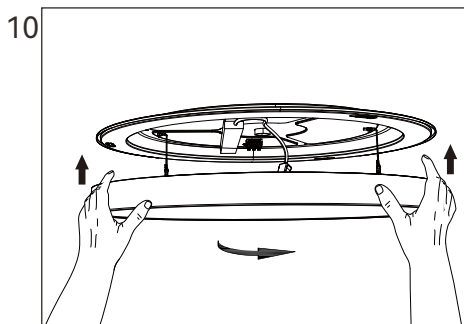
7 Connect the cable (make sure the power is off, AC200-240V).



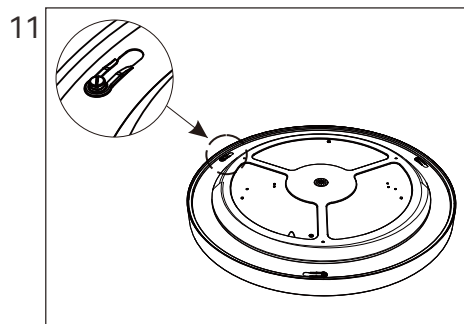
8 Attach the safety rope to the wire rope of the lamp body



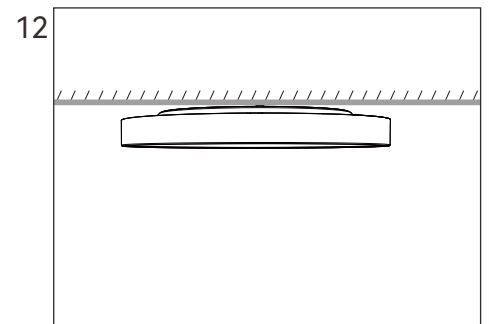
9 Pair the terminals



10 Align the three screw caps on the lamp body with the holes on the ceiling box and rotate them clockwise (about 10°) until they can no longer rotate.

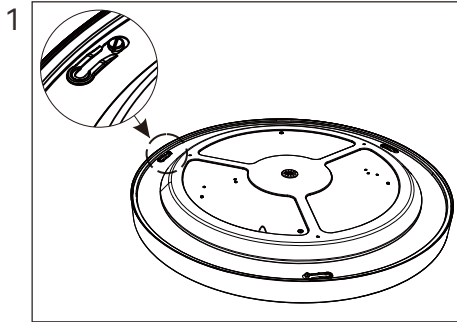


11 If the lamp body becomes slightly loose when pushed upward, it means it has been rotated in place.

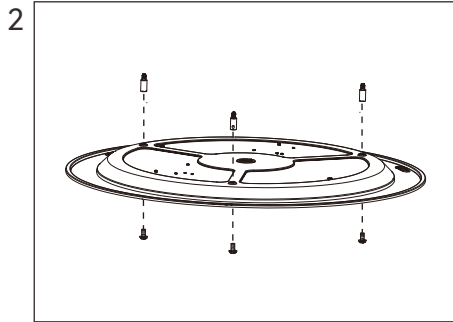


12

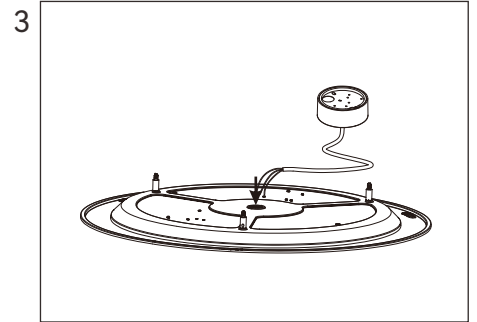
Pendant lamps Installation instructions



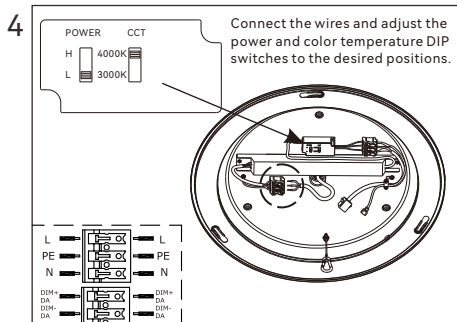
1 Rotate the upper ceiling box in anti-clockwise direction, and separate the ceiling box and lamp body



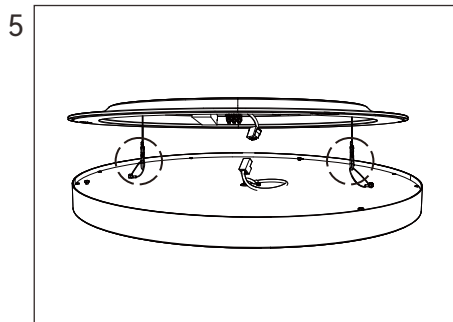
2 Fix 3 nos steel rope clamps to the ceiling box by M4 screws



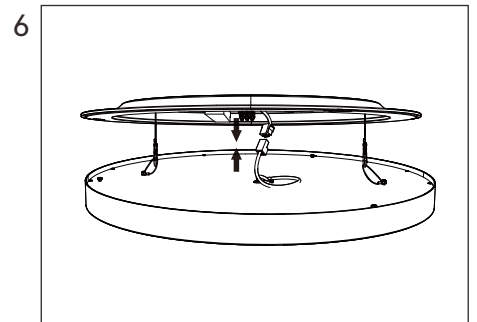
3 Insert the cable through the hole



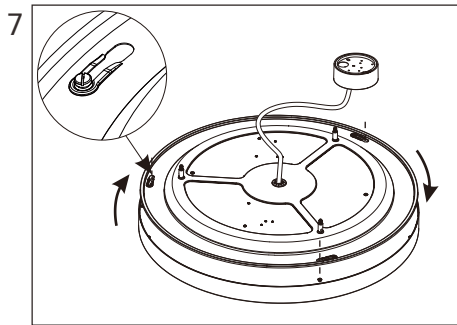
4 Connect the wires to the driver (make sure the AC power is cut off)



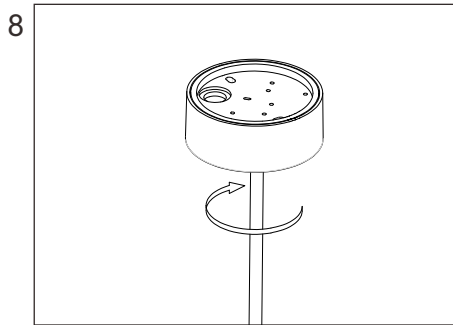
5 Connect the safety rope



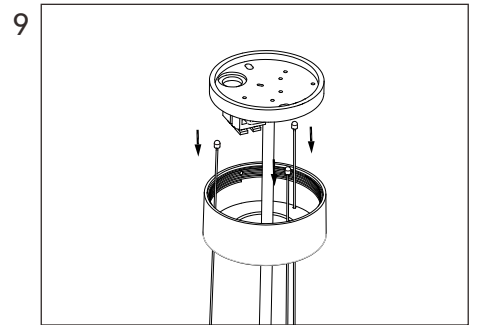
6 Connect the wiring terminals



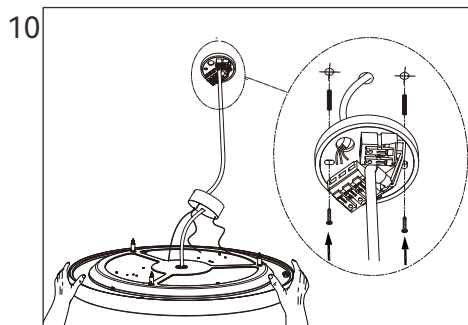
7 Rotate the ceiling box back to the lamp body in clockwise direction



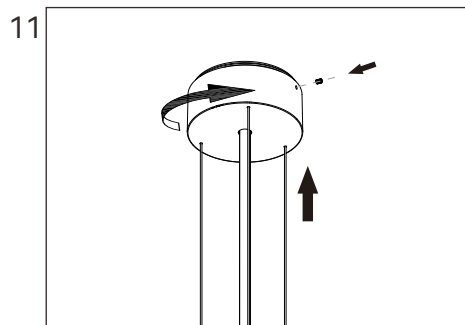
8 Open the canopy box



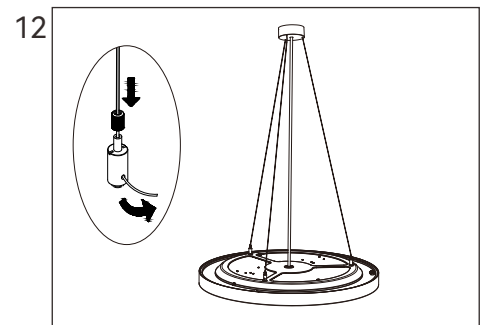
9 Thread the steel rope through the holes of the canopy box cover



10 Fix the canopy to the ceiling and wire it

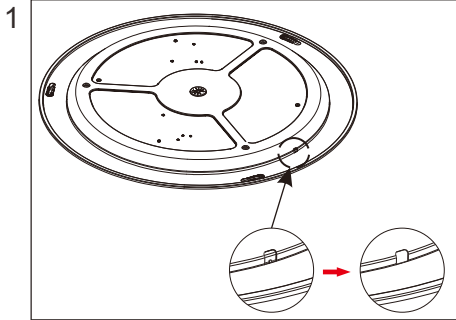


11 Rotate to fix canopy cover and fix it by tightening screw

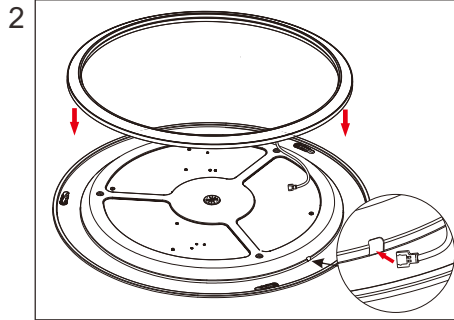


12 Insert the steel rope into the clamps and adjust the length accordingly

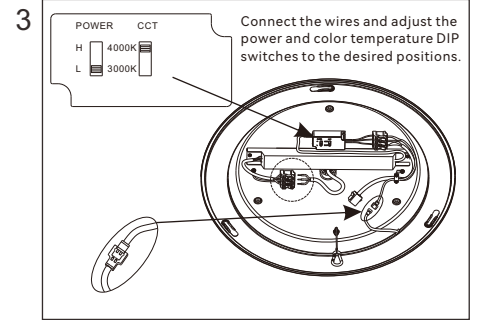
Install Up Light module



Use tools to remove the iron sheet at the position indicated by the arrow in the above picture.



Pass the female terminal connector wire on the up light module through the hole, then place the up light module on the back plate and fix it magnetically.



Connect the terminals